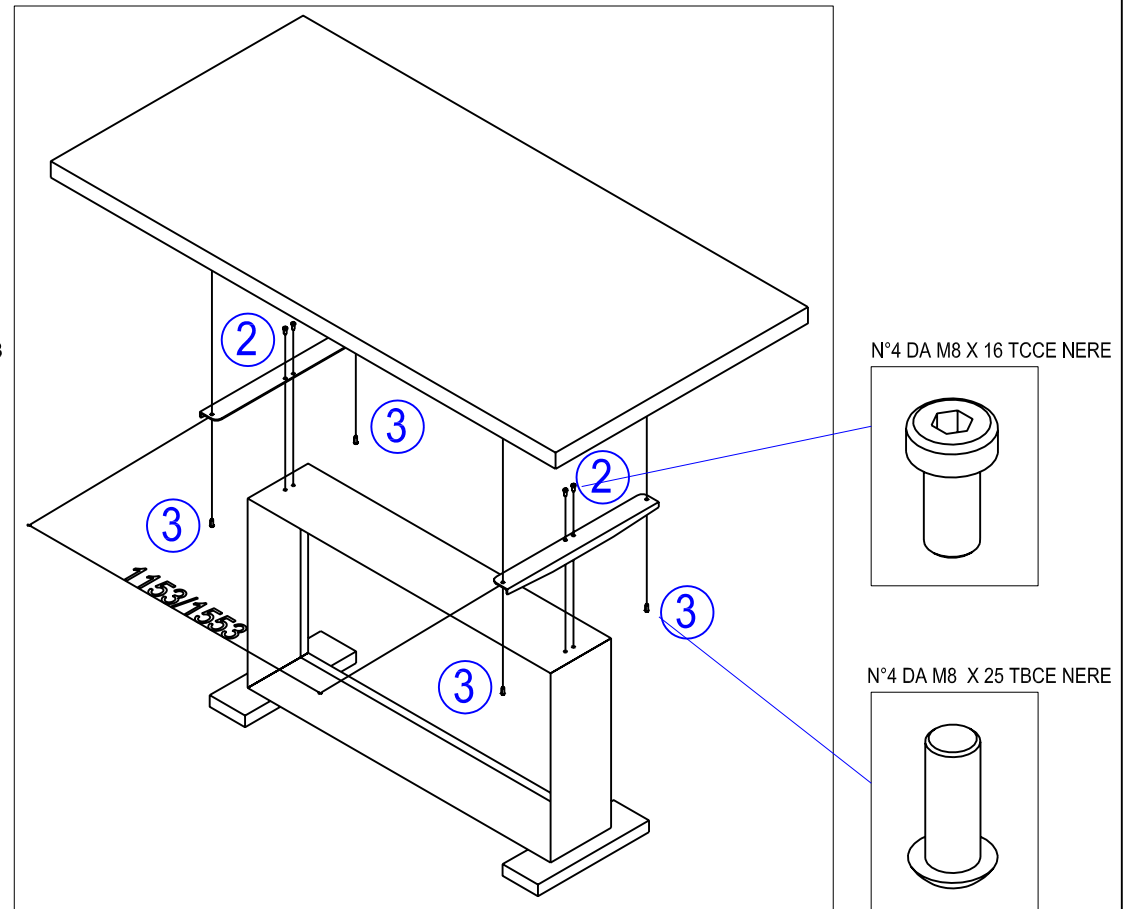
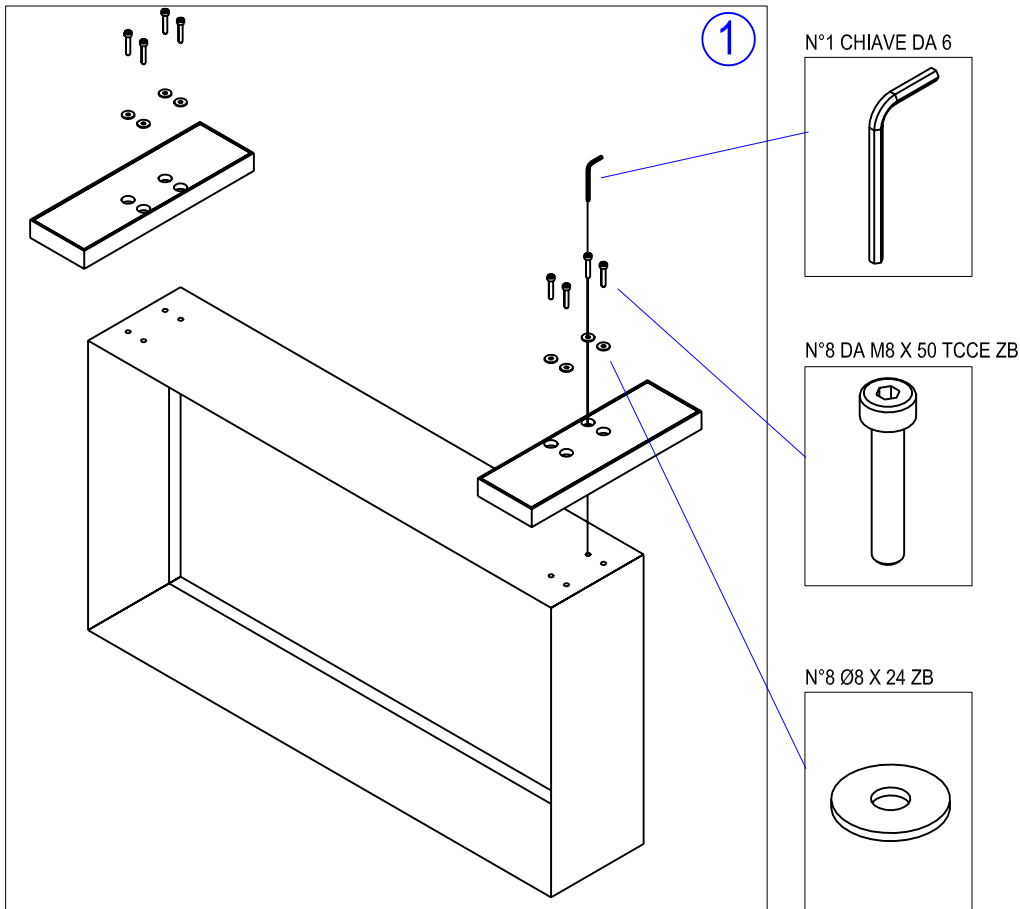


MONACO TAVOLO e CONSOLLE PIANO IN LEGNO

cattelan
italia



1-FISSARE I PIEDI
1-FIX THE LEGS
1-FIXER LES PIEDS
1-DIE FUSSE BEFESTIGEN
1-FIJAR LAS PATAS

2-FISSARE LE DUE STAFFE IN METALLO ALLA BASE
2-FIX THE TWO METAL BRACKETS TO THE BASE
2-FIXER LEX DEUX ĒNTRIERS EN METAL A LĀ BASE
2-DIE ZWEI METALLBUGEL AN DER BASIS BEFESTIGEN
2-FIJAR LAS DOS PATILLAS EN METAL A LA BASE

3-FISSARE IL PIANO
3-FIX THE TOP
3-FIXER LE PLATEAU
3-DIE PLATTE BEFESTIGEN.
3-FIJAR EL SOBRE