

Fat-Fat & Lady-Fat

SMALL TABLES

2004

Patricia Urquiola



Description

Inspired by the once popular sand-filled ash trays. Hence the creation of service elements made of three variants to be used as convenient surface in various situations. Fat-Fat & Lady-Fat internal compartment can be used as a container by lifting the trays, while the external fabric and leather covers come in a wide range of colours.

Technical information

Internal frame

thermoplastic material

Internal frame upholstery

flakes of polyurethane and PET, synthetic fibre cover

Tray

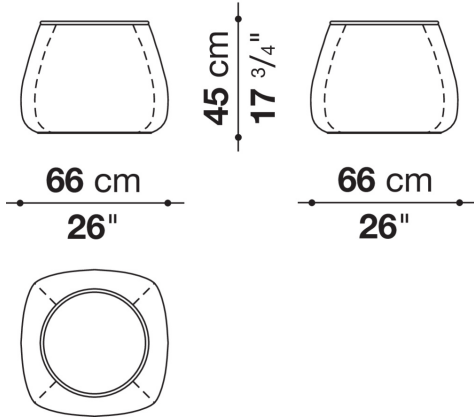
steel sheet

Cover

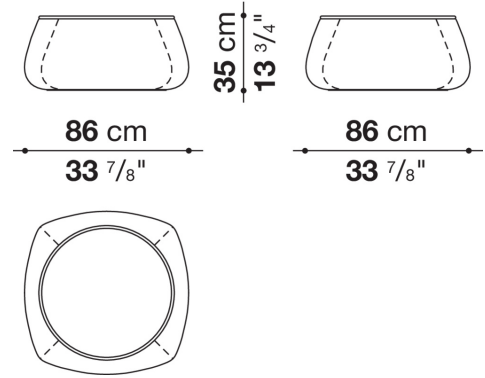
fabric or leather

Technical drawings

FF66



FF86



LF116

