

Cozy

SMALL TABLES

2016

Antonio Citterio



Description

With the Cozy small tables Antonio Citterio revisits the aesthetics of the classical three-legged pedestal table, converting it into an intentionally eccentric item of high design. An attractive element that merges into various interiors, it has a supporting frame in die-cast brass or in painted metal alloy with. The top is available in round and oval version in many variants: oak wood with several finishes, eucalyptus, glass or marble.

Technical information

Support frame

brass

Top

veneered MDF wood fibre panel, glass or marble (matt polyester finish)

Coupling plate

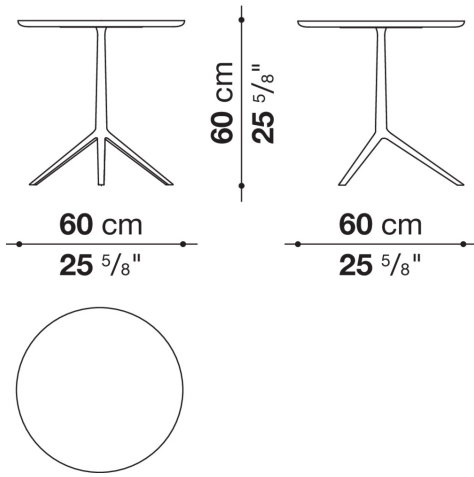
steel

Ferrules

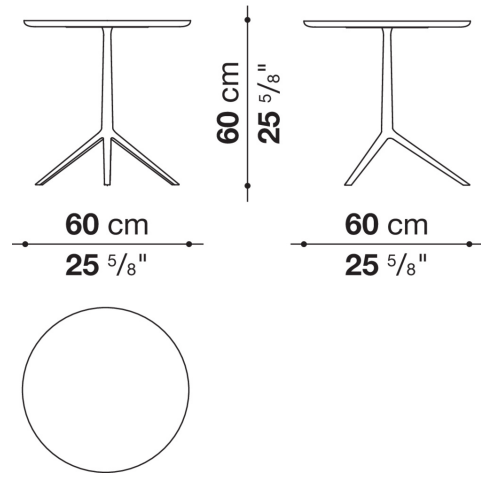
thermoplastic material

Technical drawings

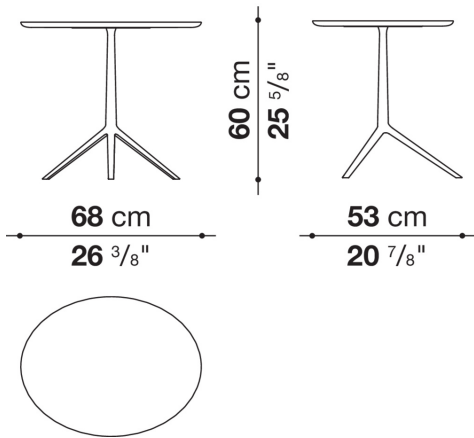
TCZ60



TCZ60M



TCZ68



TCZ68M

