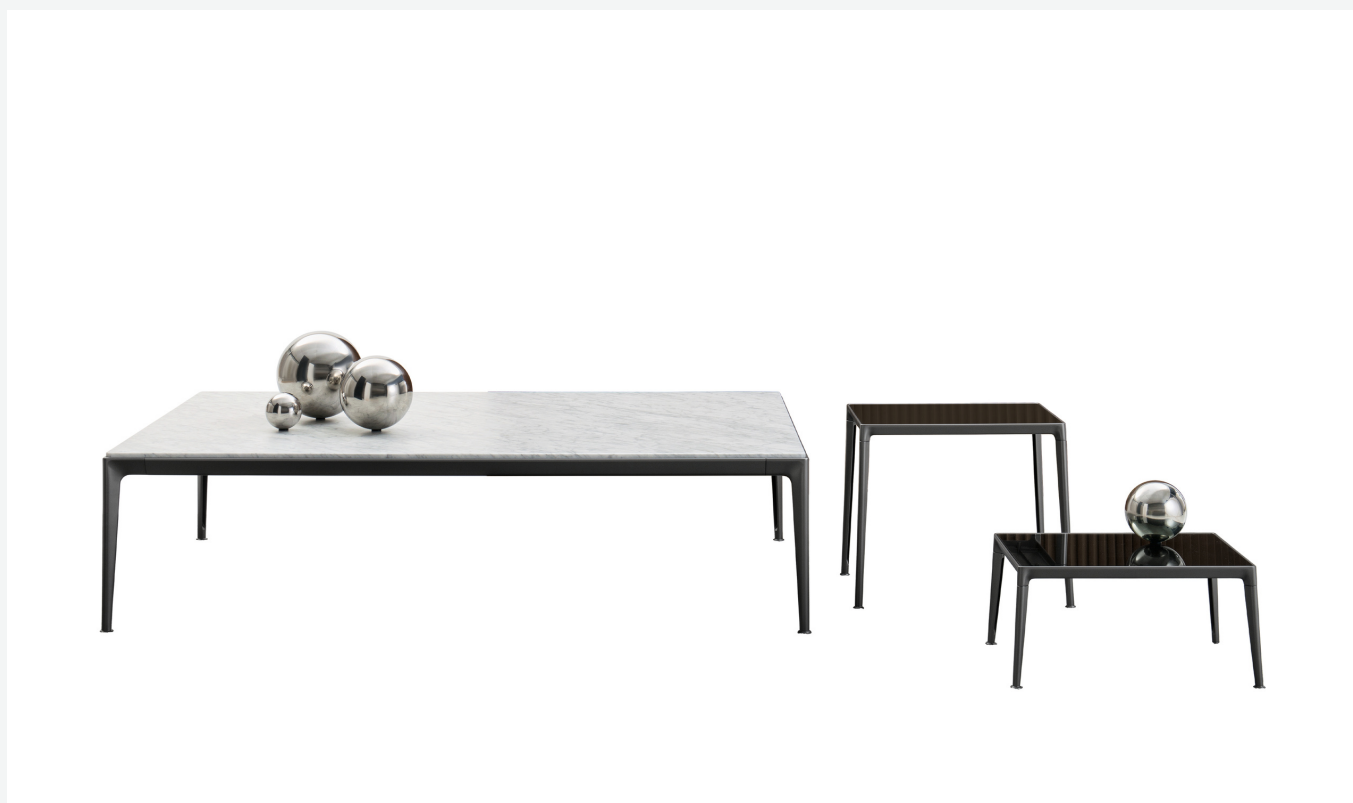


Mirto Indoor

SMALL TABLES

2016

Antonio Citterio



Description

Mirto Indoor is a series of square or rectangular low and service tables, available in various sizes, all with a die-cast aluminium frame. Both the frames and the tops come in a wide range of finishes.

Technical information

Frame

die-cast aluminium and aluminium extrusions

Top

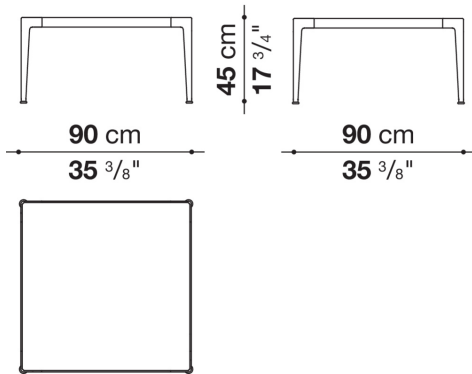
veneered MDF wood fibre panel, glass or marble (matt polyester finish or glossy polyester finish)

Ferrules

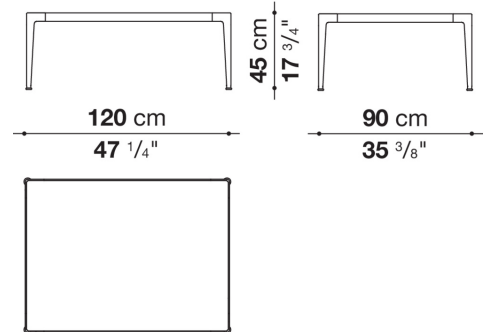
thermoplastic elastomer

Technical drawings

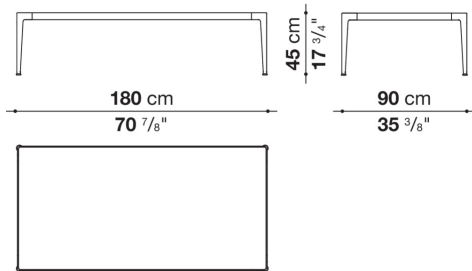
IMT90Q_4



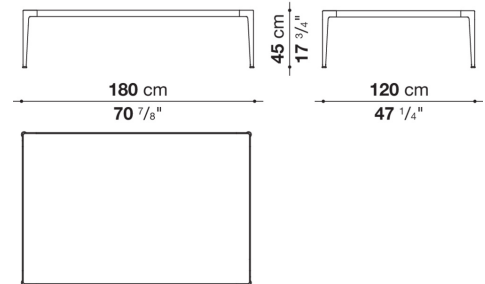
IMT120_4



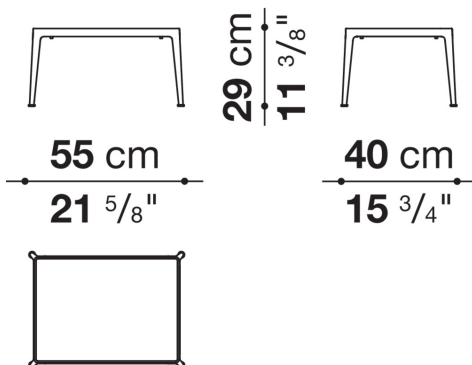
IMT180A_4



IMT180B_4



IMT54



IMT55_5

