

# Lazy '05

CHAIRS

2005

Patricia Urquiola



## Description

---

The name recalls relaxation, laziness and rest. The principle the pieces of this range have in common is the chromed steel frame with easy to remove covers with a zipper or Velcro fastening. With high backrest for a rigorous position, lower backrest or in the stool version, they all offer the possibility of combining different fabric tones above and under the seat, with a two-colour effect.

## Technical information

---

**Seat**

thermoplastic material shell, shaped polyurethane, polyester fibre cover

**Back**

elastic mesh, polyester fibre cover

**Support frame**

drawn steel

**Ferrules**

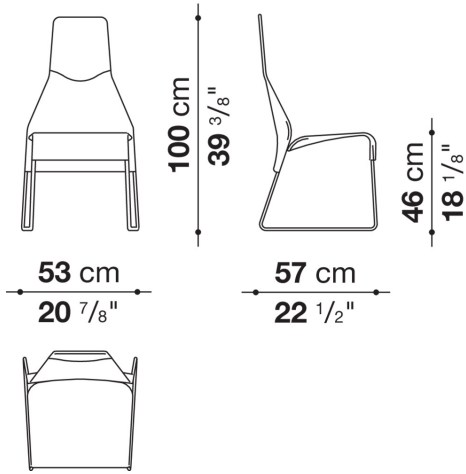
thermoplastic material

**Cover**

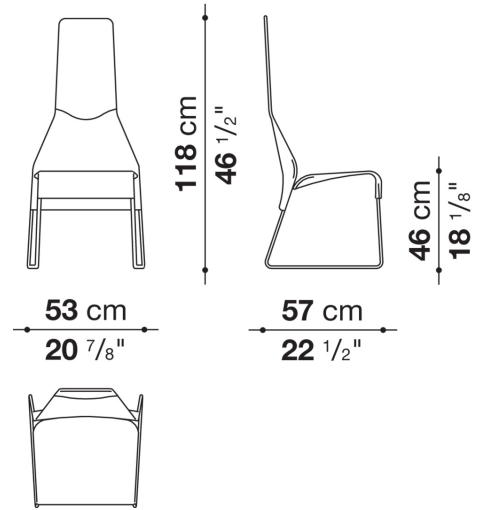
fabric or leather

# Technical drawings

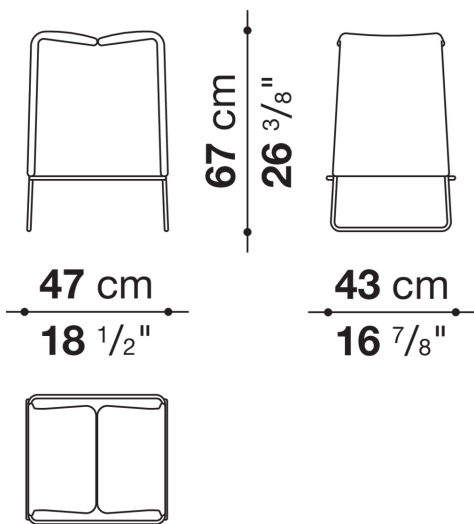
## SLA100



## SLA118



## SGLA67



## SGLA77

