

# Fat-Sofa

ARMCHAIRS

2007

Patricia Urquiola



## Description

---

Organic, soft and sinuous in shape, the Fat-Sofa armchairs, available in three versions, including one with a high enveloping backrest, interpret the theme of comfort in a playful and informal way. These floor-standing seats, without a metal base and with fabric or leather upholstery, offer the possibility of choosing between sophisticated single-tone and two-tone solutions, also combining leather and fabric.

## Technical information

---

**Internal frame**

tubular steel and steel profiles, plastic material

**Internal frame upholstery**

Bayfit® flexible cold shaped polyurethane foam, polystyrene foam, shaped polyurethane of different density, polyester fibre cover

**Ottoman upholstery**

Bayfit® flexible cold shaped polyurethane foam, polystyrene foam, shaped polyurethane, polyester fibre cover

**Back cushion (FS55C)**

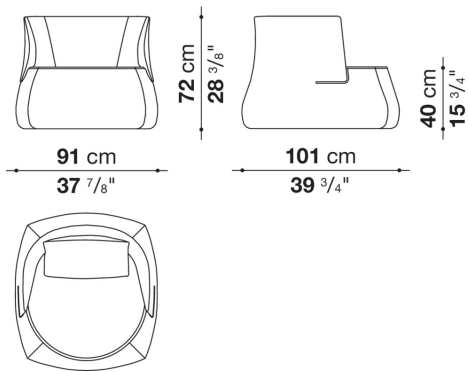
down feather and polyester fibre, pillow style typology

**Cover**

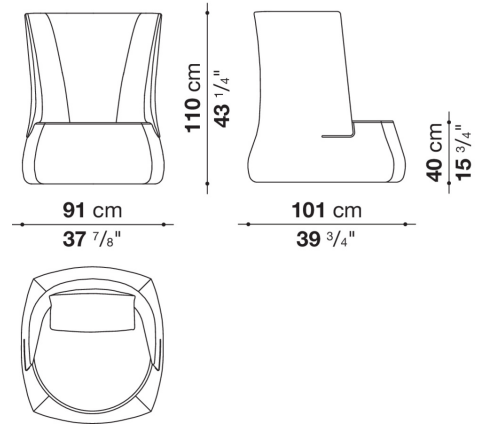
fabric or leather

# Technical drawings

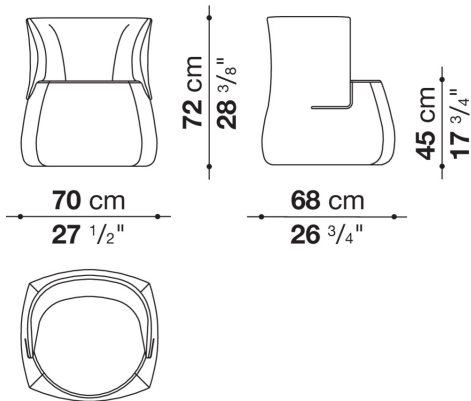
**FS91B**



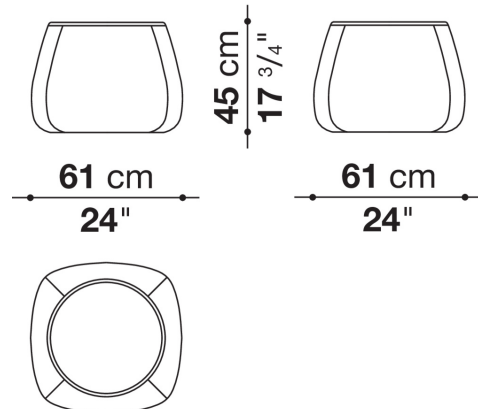
**FS91A**



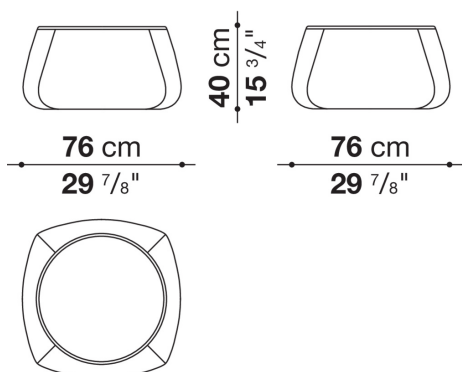
**FS70**



**FS61P**



**FS76P**



**FS106P**

