

# George

ARMCHAIRS

2013

Antonio Citterio



## Description

---

The George armchair, available in two sizes, is designed specifically for the contract industry, its seat and back cushions offering a high and formal seating solution. Upholstered in either fabric or leather, it's base frame is in aluminium. The project also includes a two-seater and three-seater sofa.

## Technical information

---

**Internal frame**

tubular steel and steel profiles

**Internal frame upholstery**

Bayfit® flexible cold shaped polyurethane foam, polyester fibre cover

**Cushion upholstery**

shaped polyurethane of different density, polyester fibre, cover in polyester fibre and cotton

**Support frame**

die-cast aluminium and extrusions

**Ferrules**

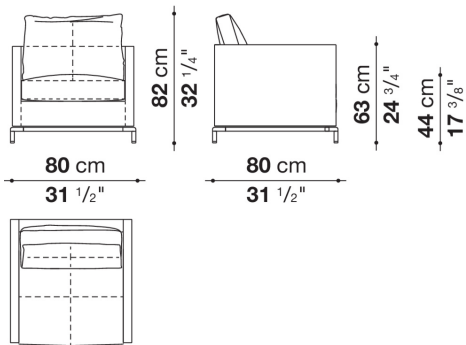
thermoplastic material

**Cover**

fabric or leather in limited categories

# Technical drawings

**GS80**



**GS105**

