

J.J.

ARMCHAIRS

2012

Antonio Citterio



Description

The J.J. family presents armchairs with a different look and a wide variety of materials: with a steel-rod structure supporting a wooden frame, they convey a certain degree of lightness and hint at traditional aesthetics. Details are carefully studied for every armchair as the polypropylene ribbons that design the backrest. There is also an armchair fitted with a sleigh, the expression of the traditional rocking chair that becomes glamorous when it is attired in long haired Mongolian lamb fur.

Technical information

Shell

solid wood

Webbing

polypropylene

Upholstery

shaped polyurethane

Armrest (PJ85FN-PJ99FN-PJ99DN)

leather, steel sheet

Headrest (PJP)

polyester fibre, cotton cover, steel sheet counterweight

Support frame

drawn steel

Sledge legs (PJ99DN)

solid wood

Ferrules

thermoplastic material

Cover

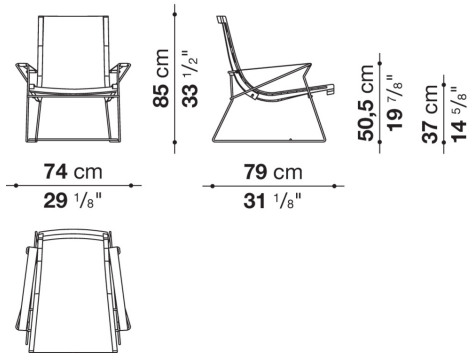
leather

Cover (PJ99FAN-PJ99DAN)

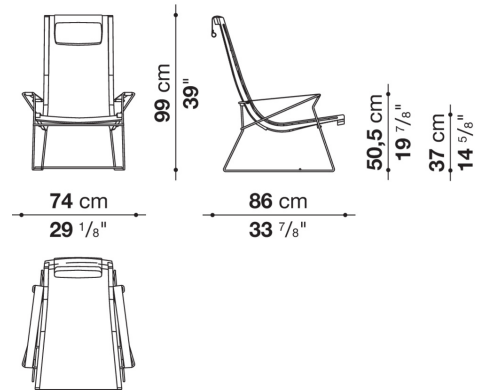
leather and Mongolian lamb fur

Technical drawings

PJ85FN



PJ99FN



PJ99DN

