

Jean

ARMCHAIRS

2013

Antonio Citterio



Description

The Jean seating system, designed for the home by Antonio Citterio, has been extended to the contract sector in a new collection of armchairs and sofas of two and three seats.

Technical information

Internal frame

tubular steel and steel profiles

Internal frame upholstery

Bayfit® flexible cold shaped polyurethane foam, shaped polyurethane, polyester fibre cover

Seat cushion upholstery

shaped polyurethane, polyester fibre, cotton cover

Back cushion upholstery

sterilized down, polyester fibre, cotton cover

Support frame

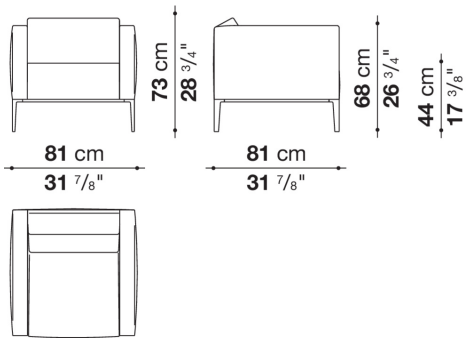
die-cast aluminium and extrusions

Cover

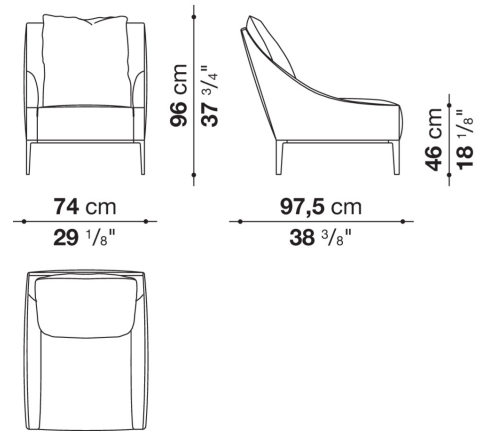
fabric or leather in limited categories

Technical drawings

PJS



PJ74



PJ74P

