

Richard

ARMCHAIRS

2016

Antonio Citterio



Description

Available in two widths and two depths, for more or less formal use, the Richard armchair reveals a delicate balance between contemporary shapes and a classic allure. Forming part of a comprehensive set of seating solutions, it is available upholstered in fabric with tone-on-tone or contrasting profiles or in leather with matching profiles. The frame is underscored at the base by a metal profile.

Technical information

Internal frame

tubular steel and steel profiles

Internal frame upholstery

Bayfit® flexible cold shaped polyurethane foam, polyester fibre

Seat cushion upholstery

shaped polyurethane of different density, visco-elastic polyurethane, sterilized down, polyester fibre

Back cushion upholstery

polyester fibre, shaped polyurethane, sterilized down

Lower edge

die-cast aluminium and extrusions

Ferrules

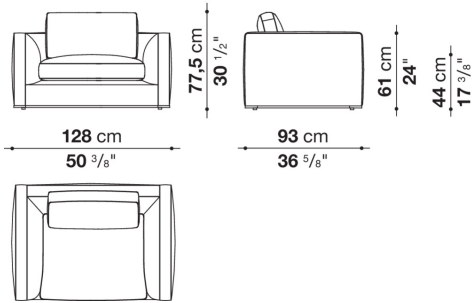
thermoplastic material

Cover

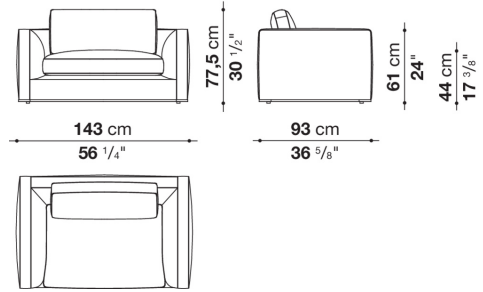
fabric (profiles in Bellano or Bormio fabric) or leather

Technical drawings

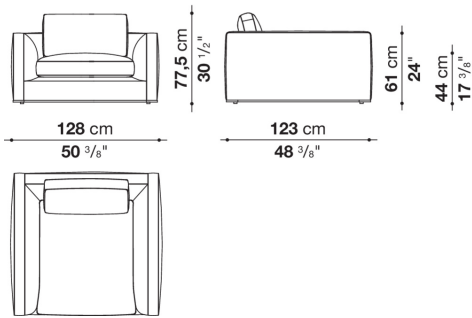
9RA125



9RA140



RA125



RA140

