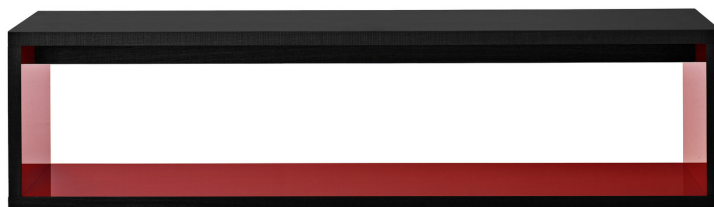


# Frank '12

COMPLEMENTS

2012

Antonio Citterio



## Description

---

A versatile piece of furniture it stands out for its essential design. An internal frame glossy painted in combines with an external frame available in a variety of different wood essences.

## Technical information

---

**Frame**

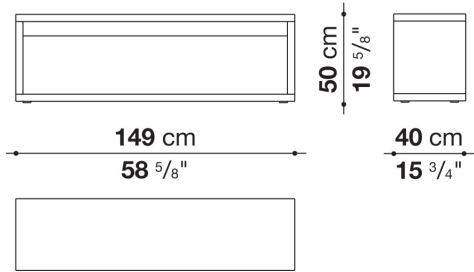
veneered wood particles panel

**Adjustable ferrules**

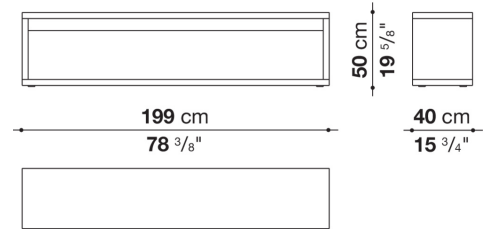
steel and plastic material

# Technical drawings

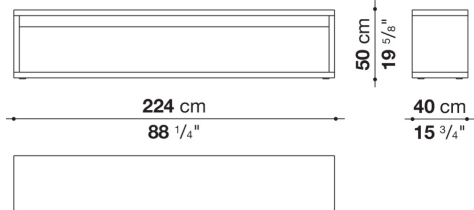
**FE155**



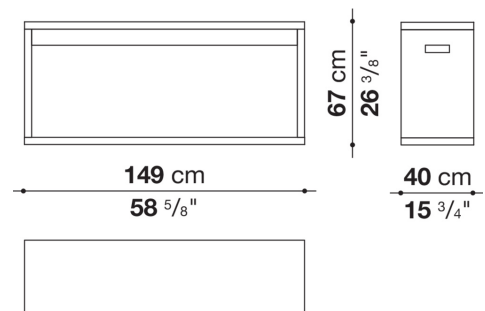
**FE205**



**FE230**



**FE149**



**FE199**

