

Michel

SOFAS

2012

Antonio Citterio



Description

Designed for those who love comfort and timeless modernity, the Michel seating system mirrors the design philosophy of its author, who shows a preference for simple shapes – pure and elegant in their linear form, without any additional decoration to underscore the concept of function. Its several elements create both formal and relaxed, in-line and modular configurations in an extensive range of sizes. A distinctive features is the aluminium frame, available in various finishes.

Technical information

Back and armrest internal frame

tubular steel and steel profiles

Back and armrest internal frame upholstery

Bayfit® flexible cold shaped polyurethane foam, polyester fibre, polyester fibre cover

Seat internal frame

tubular steel and steel profiles, multi-layered wood panel, shaped polyurethane

Seat cushion upholstery

shaped polyurethane of different density, sterilized down, polyester fibre cover

Back cushion (M60C-M50)

down feather and polyurethane section, box style typology

Back cushion with roller (M60CP-M50P)

down feather, polyurethane section and polyester fibre, box style and roller typology

Support (FA-FB)

visco-elastic polyurethane, polyester fibre cover

Support frame

die-cast aluminium and extrusions

Ferrules

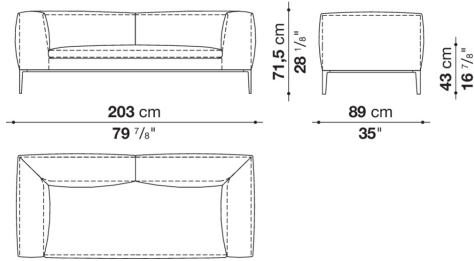
thermoplastic material

Cover

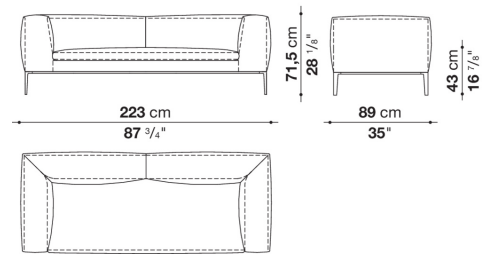
fabric or leather

Technical drawings

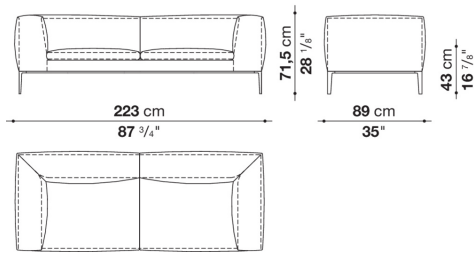
9M206



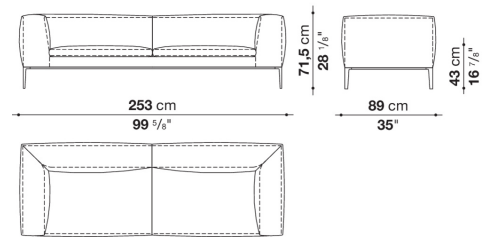
9M226_1



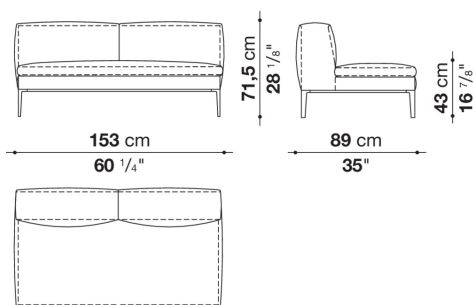
9M226_2



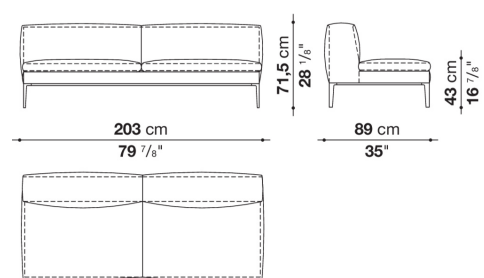
9M256



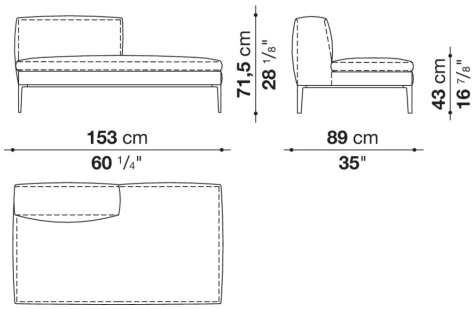
9M156P2



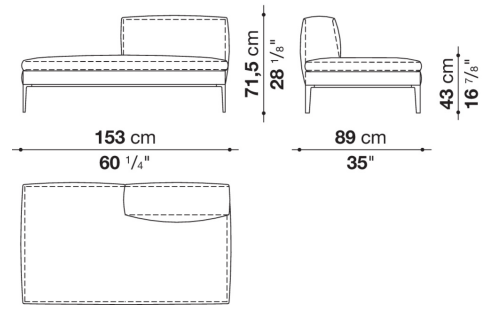
9M206P2



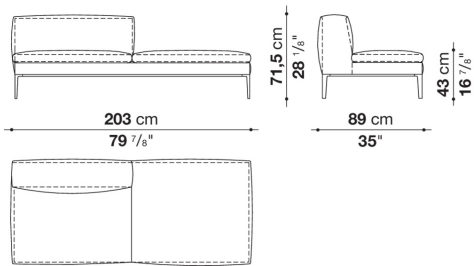
9M156PS



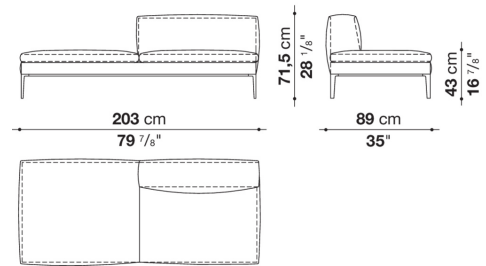
9M156PD



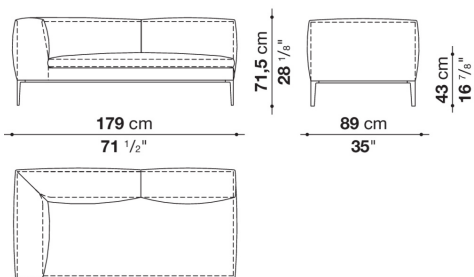
9M206PS



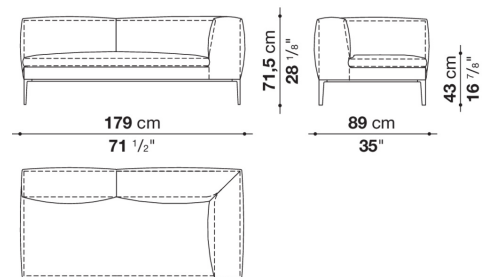
9M206PD



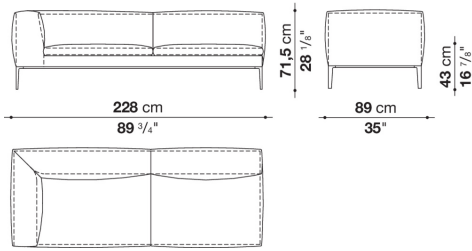
9M182TS



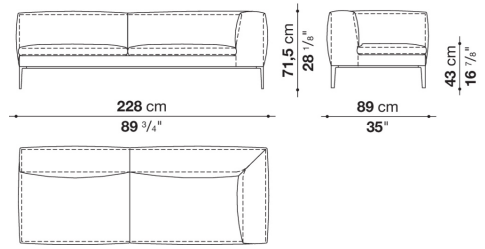
9M182TD



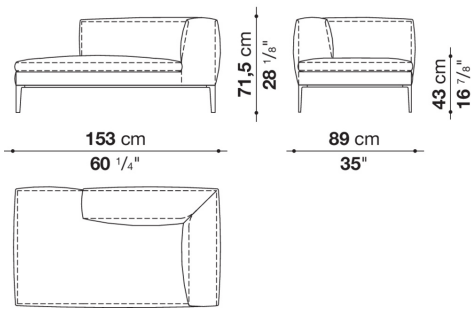
9M231TS



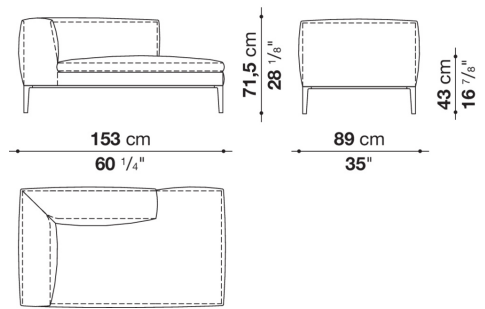
9M231TD



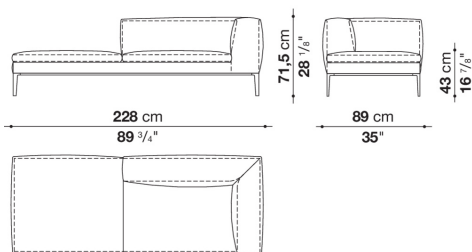
9M156CHS



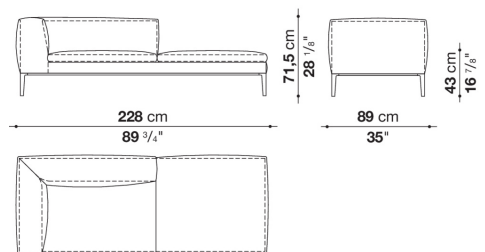
9M156CHD



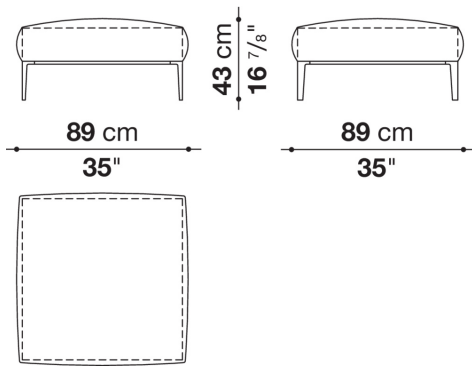
9M231CHS



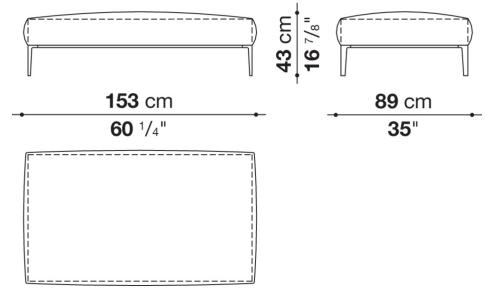
9M231CHD



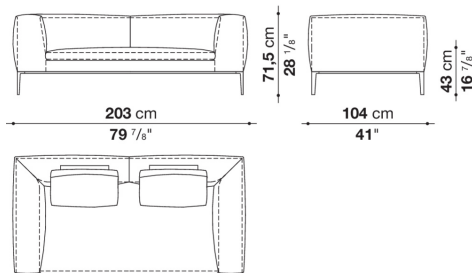
9M91PQ



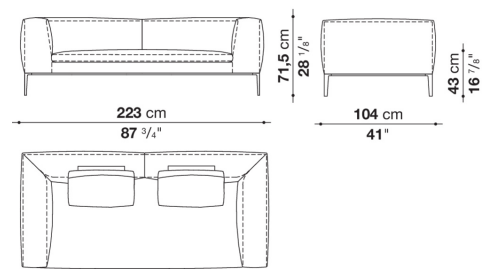
9M156P



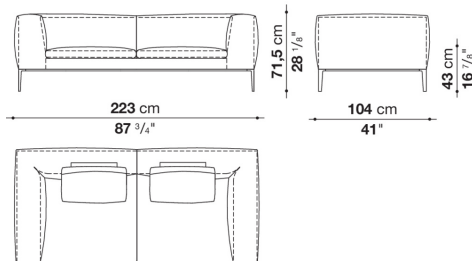
M206



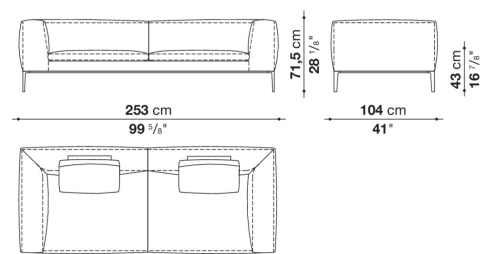
M226_1



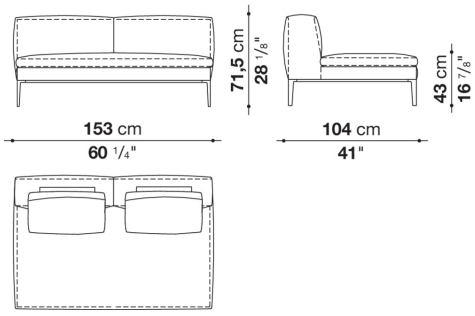
M226_2



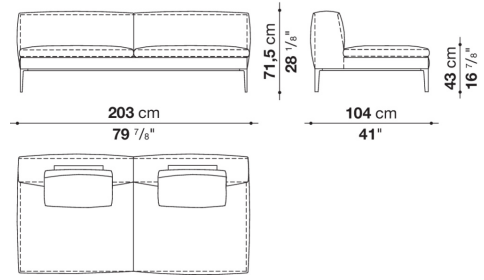
M256



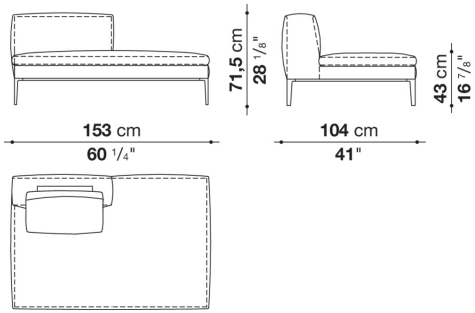
M156P2



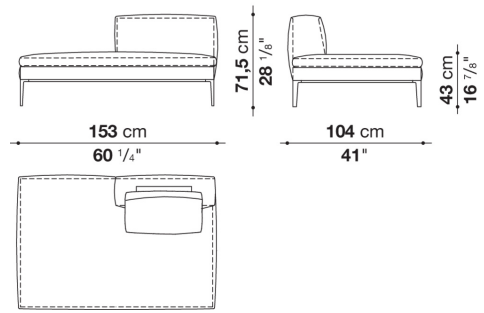
M206P2



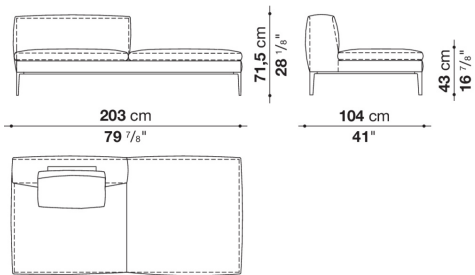
M156PS



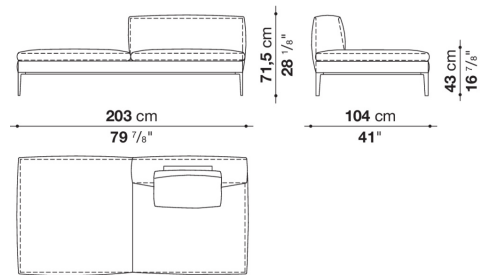
M156PD



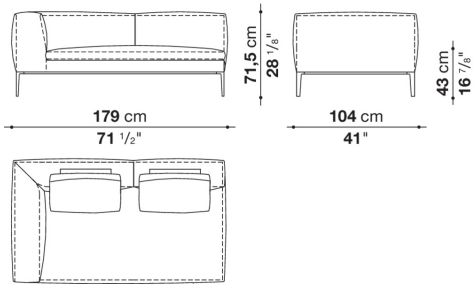
M206PS



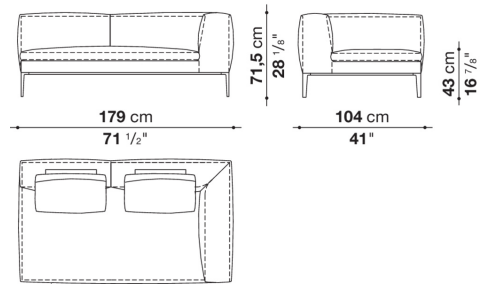
M206PD



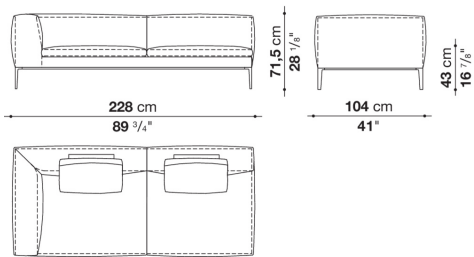
M182TS



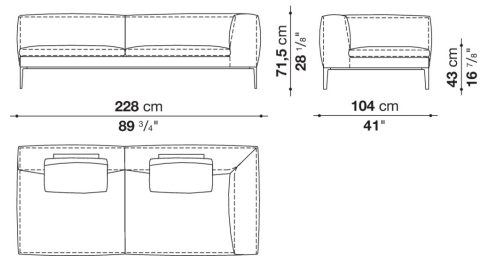
M182TD



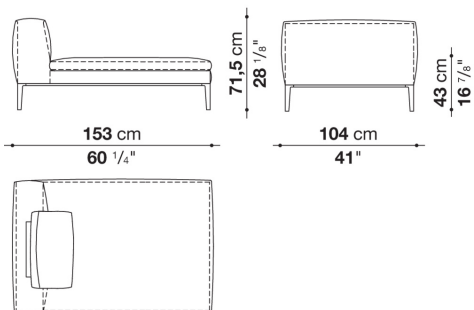
M231TS



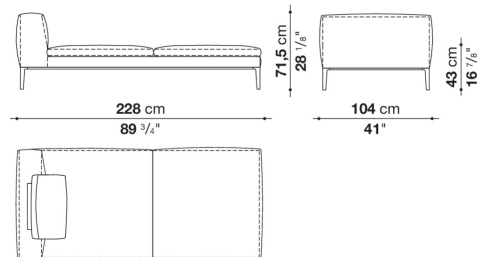
M231TD



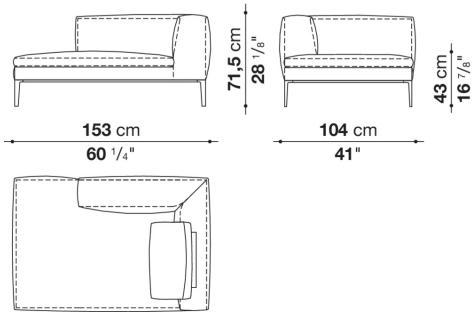
M156CH



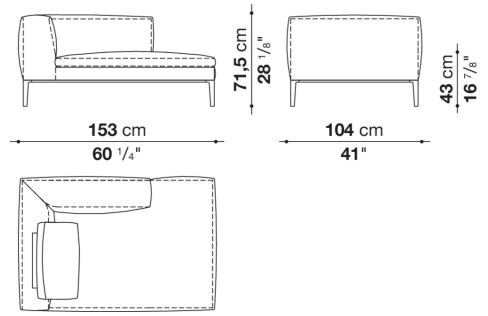
M231CH



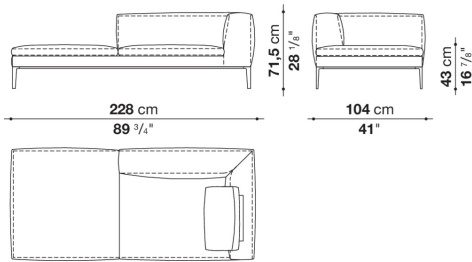
M156CHS



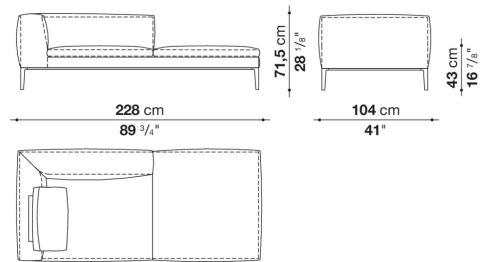
M156CHD



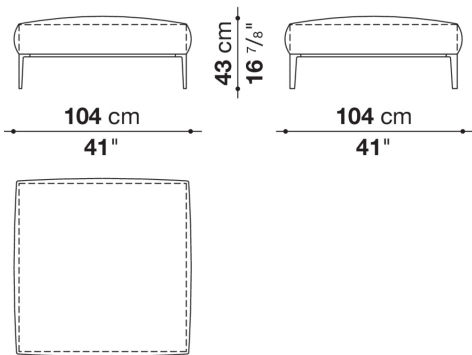
M231CHS



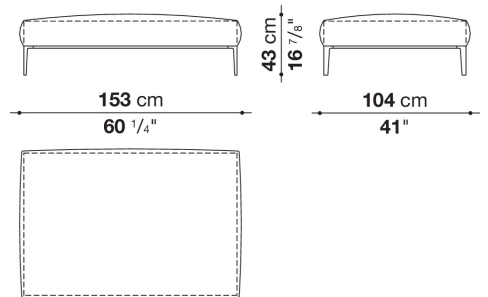
M231CHD



M106PQ



M156P



M156PQ

