

---

# Fat-Fat Outdoor

SMALL TABLES

2019

Patricia Urquiola



## Description

---

Round with a light steel rod frame, and available in different sizes and heights, the Fat-Fat Outdoor small tables come in two versions: the first has a steel tray top painted to match the frame; the second has a marble-effect porcelain stoneware top in two finishes.

## Technical information

---

**Frame**

steel profiles

**Top**

porcelain stoneware or steel sheet

**Tray**

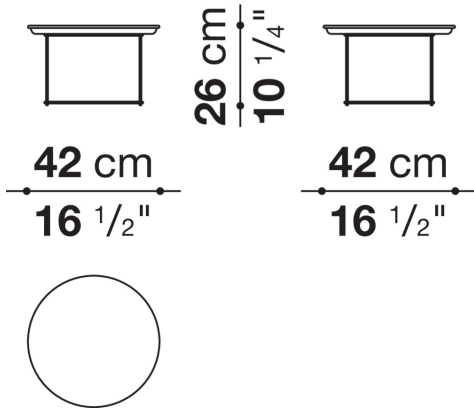
steel sheet

**Ferrules**

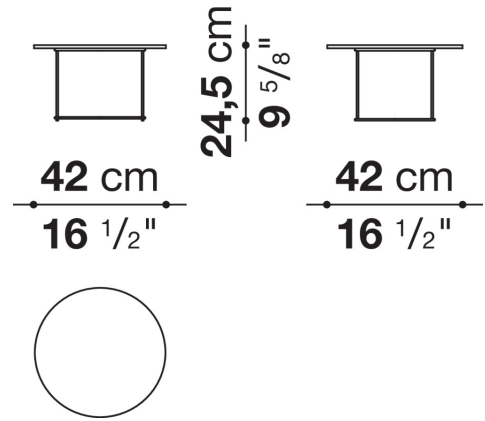
thermoplastic material

# Technical drawings

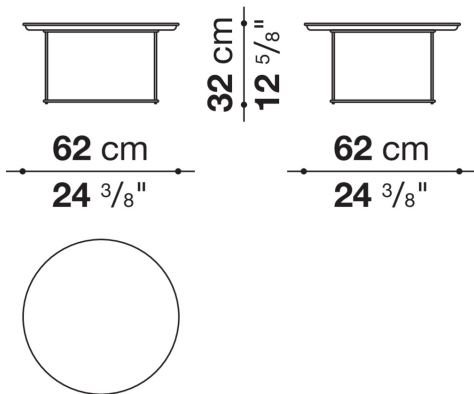
## OTF42



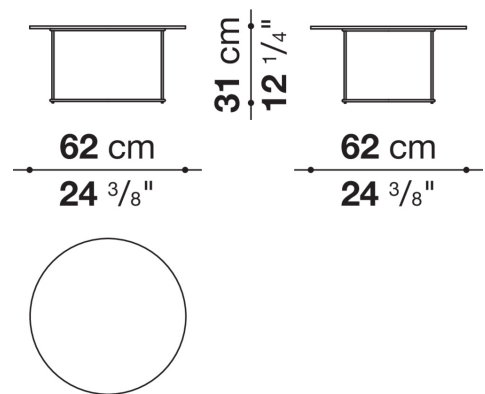
## OTF42G



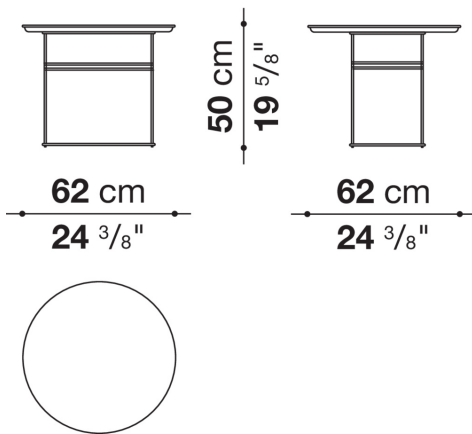
## OTF62



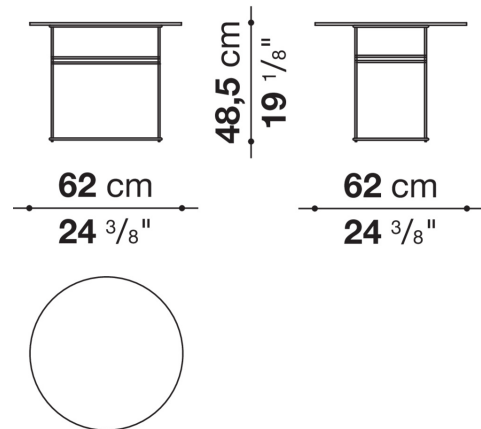
## OTF62G



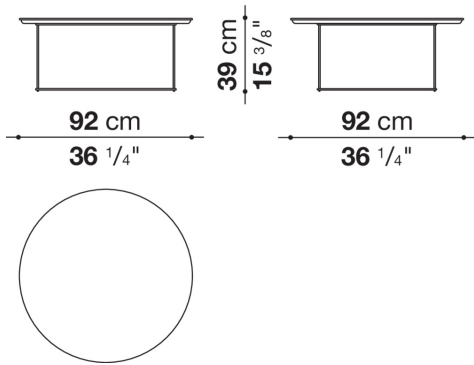
## OTF62A



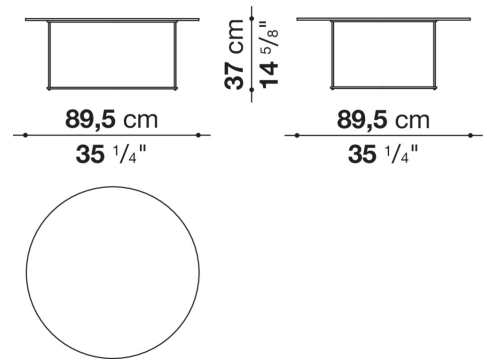
## OTF62AG



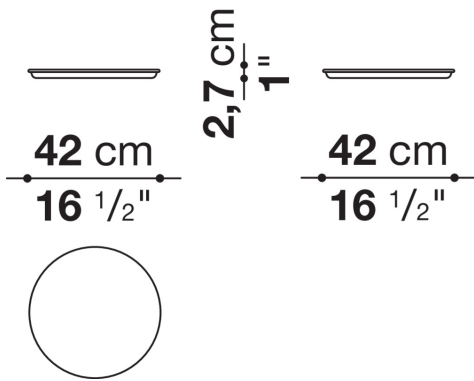
### OTF92



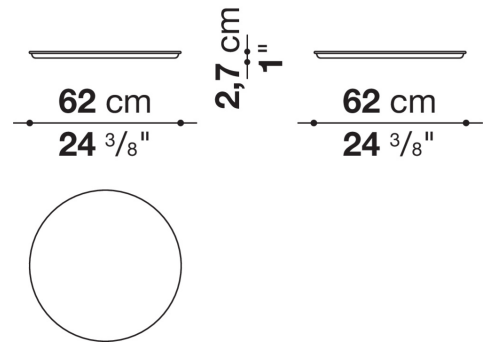
### OTF92G



### OF42V



### OF62V



### OF92V

