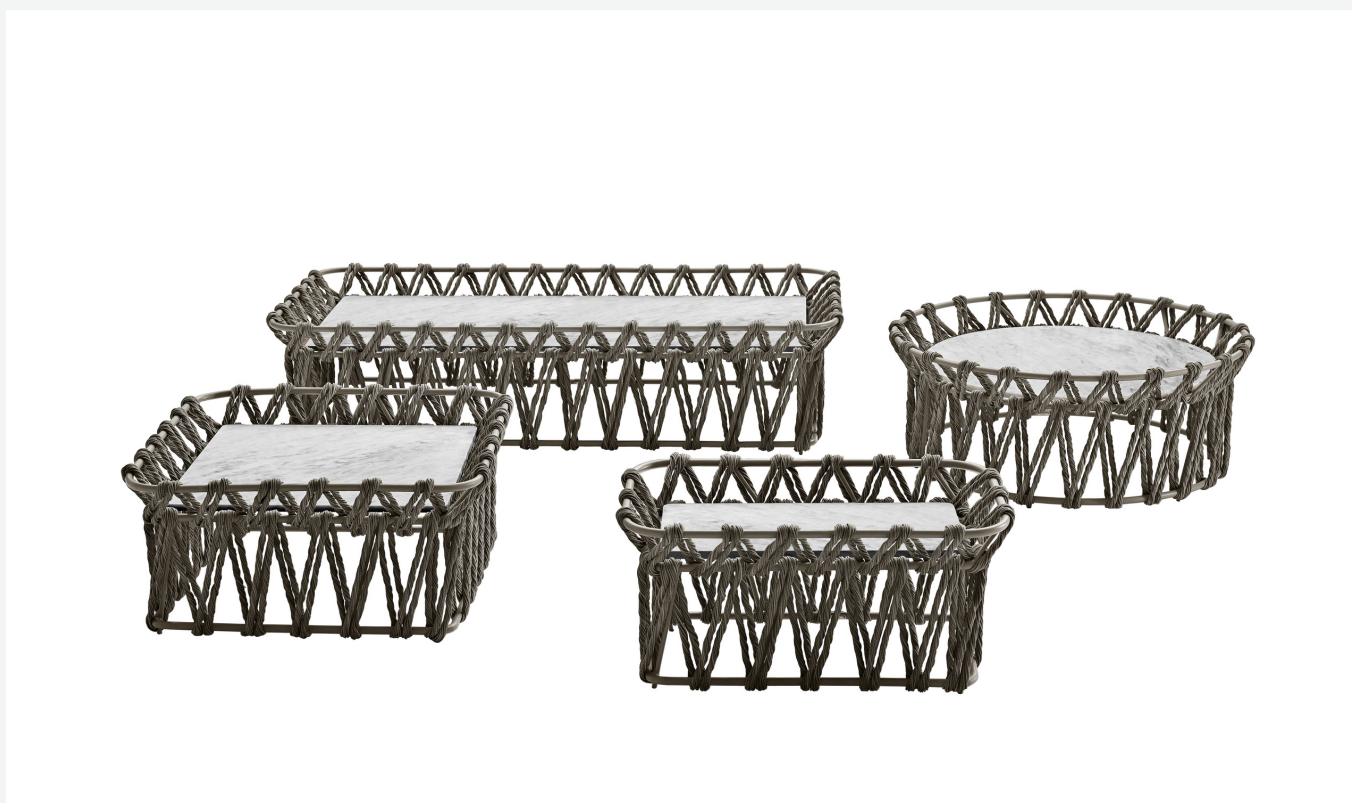


Butterfly

SMALL TABLES

2015

Patricia Urquiola



Description

The Butterfly small tables for outdoor use, forming part of the outdoor seating system of the same name, stand out for their large weave pattern, made of twisted polyethylene fibres that wrap around the frame. Ideal for a variety of settings, such as hotels and yachts, they come in various shapes and sizes: round, square and rectangular.

Technical information

Frame

aluminium with polyester powder painting

Interlacing

polyethylene fibre

Top

marble (natural finish)

Ferrules

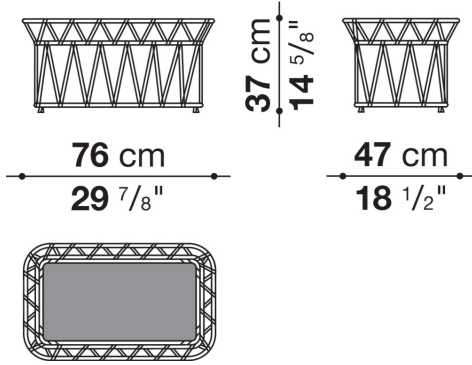
thermoplastic material

Waterproof cover cloth

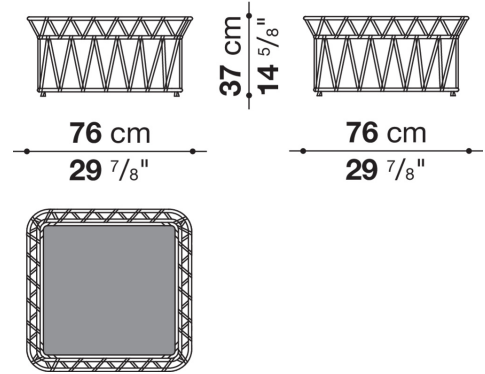
PES fabric coated on one side in PU

Technical drawings

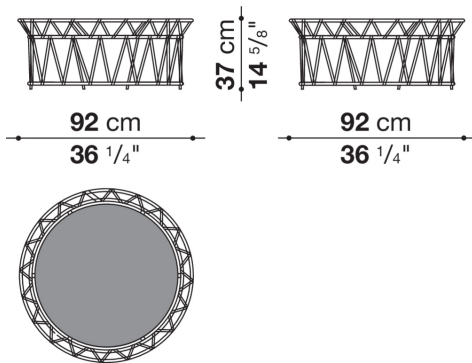
BT7



BT7Q



BT9R



BT15

