

# Ray Outdoor Fabric

SOFAS

2017

Antonio Citterio



## Description

---

After its success indoors, the Ray seating system now includes the Ray Outdoor Fabric version featuring an interlacing ribbon pattern, created using polypropylene fibre resistant to UV rays and weathering. The range of colours is particularly suitable for outdoor environments. The seating system includes sofas available in two depths, modular elements, an armchair and a lounger with wheels.

## Technical information

---

**Internal frame**

tubular aluminium and aluminium profiles with polyester powder painting

**Upholstery**

shaped polyurethane, Solotex fibre and visco-elastic polyurethane combination, cover in water repellent polyester fibre

**Back cushion**

polyester fibre, cover in water repellent polyester fibre

**Interlacing**

polypropylene fibre braid

**Feet**

die-cast aluminium and extrusions with polyester powder painting

**Ferrules**

thermoplastic material

**Waterproof cover cloth**

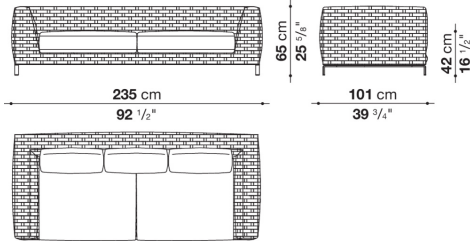
PES fabric coated on one side in PU

**Cover**

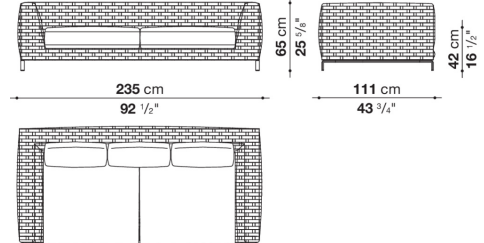
fabric in limited categories

# Technical drawings

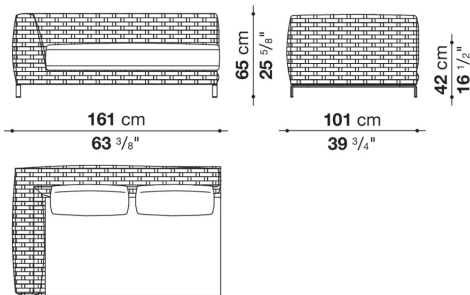
**RF235**



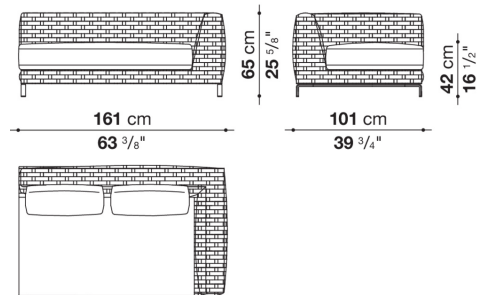
**RFL235**



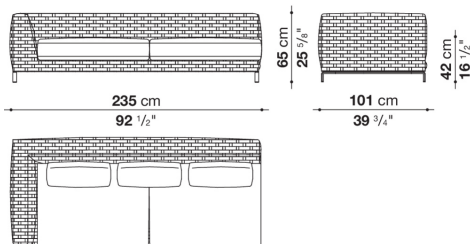
**RF161S**



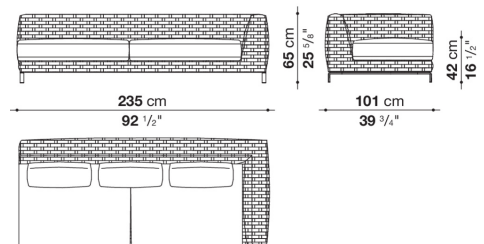
**RF161D**



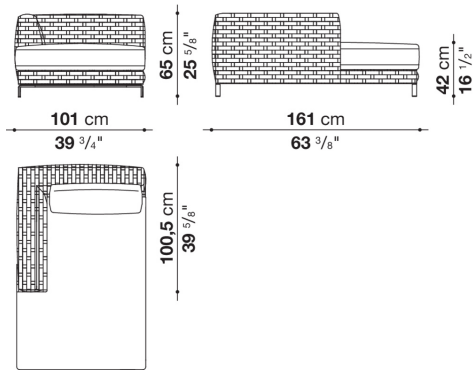
**RF235S**



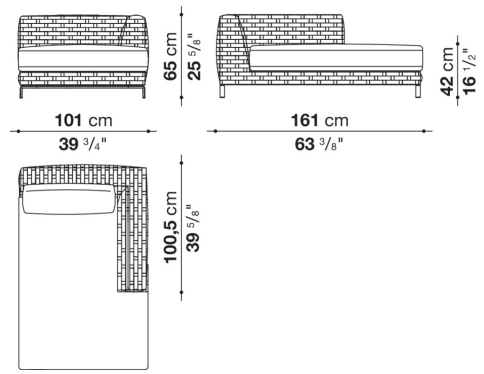
**RF235D**



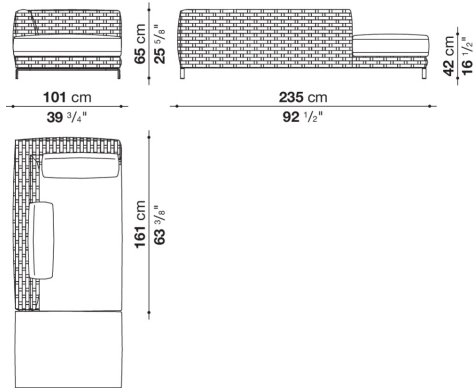
**RF161LS**



**RF161LD**



**RF235LS**



**RF235LD**

