

VOGUE Presidential desk

Designer: Andrea Bonini

Year: 2016



DESCRIPTION

Vogue collection presidential desk with open front, also available with close front. 6 drawers. Wooden structure, hand-decorated, gloss polyester finish mink colour matterly effect. Leather application. Pattern with hexagonal embroidery, also available with diamond embroidery. Gold metal details. Leather mat on request. Also available: presidential desk with left-side or right-side typing shelf with opening on front part. More wooden finishes and leathers are available in our samples books.



The company reserves the right to make changes to the models without notice. The information given here is based on the latest data published on the price list.

VOGUE Presidential desk

Designer: Andrea Bonini

Year: 2016

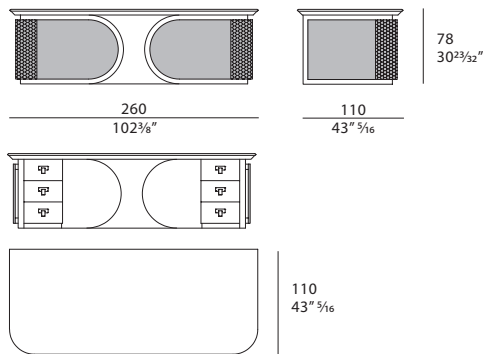
TECHNICAL:

Structure: MDF, plywood and wood particle panels, glossy hand-decorated polyester finish. Embroidered leather applications, printed leathers cannot be used for embroidered parts / **Options:** available with opening or closed front part / **Drawers:** Z555L - Z559L six drawers Z558L - Z560L three drawers. Wood, glossy hand-decorated polyester finish. Internal covering in microfiber / **Decorative details and handles:** metal Gold finish.

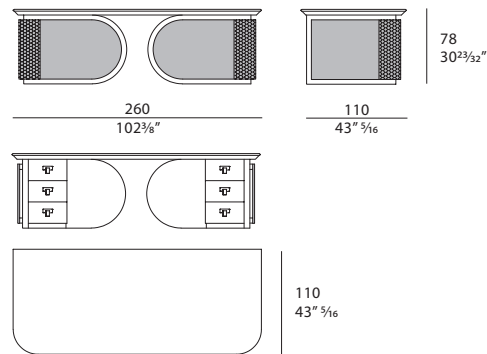
DRAWINGS:

measures in cm and inch

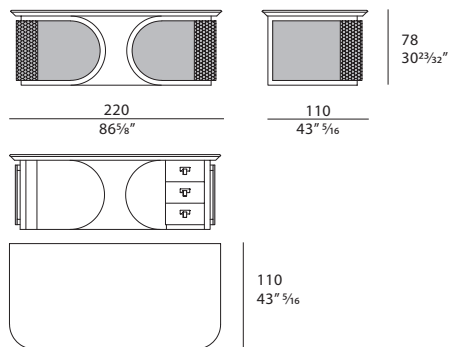
Z555L



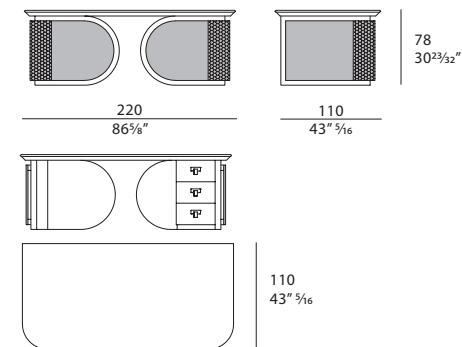
Z559L



Z560L



Z559L



VOGUE Presidential desk

Designer: Andrea Bonini

Year: 2016

TECHNICAL:

Structure: MDF, plywood and wood particle panels, glossy hand-decorated polyester finish. Embroidered leather applications, printed leathers cannot be used for embroidered parts / **Options:** available with right or left side typing shelf / **Drawers:** six in wood, glossy hand-decorated polyester finish. Internal covering in microfiber / **Decorative details and handles:** metal Gold finish.

DRAWINGS:

measures in cm and inch

