

Heathfield&Co

Product Specification Sheet

TABLE LAMP | CONSTANCE ANTIQUE BRASS AND SMOKE



PRODUCT INFORMATION

Base Code: TL-CONS-ABRS-SMOK-GLD

Material: Metal & Glass

Finish shown: Smoke

Metalwork: Antique Brass

Lampshade: 18" Oval / SH-18-OVAL

Flex: UK & EU 1.5 metres of Antique Gold twisted flex / US Black PVC cable

TECHNICAL INFORMATION

Weight: 3kg / 6.6lbs

Plug: Black 13amp UK plug /

Black Schuko EU plug / Black US polarised plug

Switching: Black inline switch

Lamping: 1x E27 lampholder / 1x E26 US lampholder

60W max. LED lamps recommended.

Lamps not included

BASE HEIGHT: 580 mm / 23"

TOTAL HEIGHT: 880 mm / 34^{1/2}"

BASE WIDTH: 280 mm / 11"

SHADE WIDTH: 450 mm / 17^{3/4}"

UKCA / CE / UL COMPLIANT

WARRANTY

10 years*

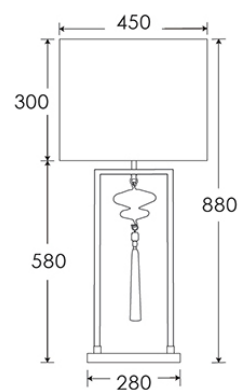
FINISHING NOTE

Our carefully selected glass and metalwork components are all hand finished by skilled artisans and as such no two products are exactly the same - something that adds to the unique charm of this product.

CLEANING INSTRUCTIONS

The finishes on this luminaire only require regular cleaning with a soft dry duster. Abrasive or chemical cleaners may harm the finish and should not be used. Shade to be dusted with a clean dry cloth.

*Please refer to our Terms & Conditions for further information.



Dimensions in mm and approximate

H&
CO

LIGHT BEYOND DESIGN

Heathfield&Co

Product Specification Sheet

TABLE LAMP | CONSTANCE NICKEL AND CLEAR



PRODUCT INFORMATION

Base Code: TL-CONS-PLNL-CLER-IVO

Material: Metal & Glass

Finish shown: Clear

Metalwork: Polished Nickel

Lampshade: 18" Oval / SH-18-OVAL

Flex: UK & EU 1.5 metres of Old Silver twisted flex /
US Old Silver braided flex

TECHNICAL INFORMATION

Weight: 3kg / 6.6lbs

Plug: Black 13amp UK plug /

Black Schuko EU plug / Black US polarised plug

Switching: Black inline switch

Lamping: 1x E27 lampholder / 1x E26 US lampholder
60W max. LED lamps recommended.

Lamps not included

BASE HEIGHT: 580 mm / 23"

TOTAL HEIGHT: 880 mm / 34^{1/2}"

BASE WIDTH: 280 mm / 11"

SHADE WIDTH: 450 mm / 17^{3/4}"

UKCA / CE / UL COMPLIANT

WARRANTY

10 years*

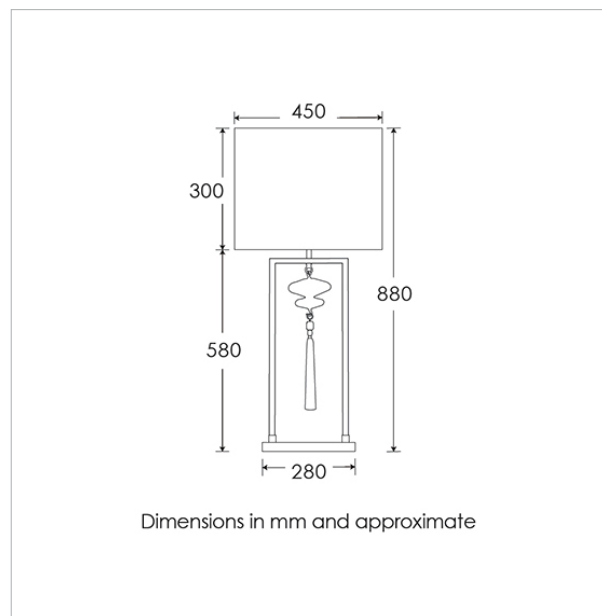
FINISHING NOTE

Our carefully selected glass and metalwork components are all hand finished by skilled artisans and as such no two products are exactly the same - something that adds to the unique charm of this product.

CLEANING INSTRUCTIONS

The finishes on this luminaire only require regular cleaning with a soft dry duster. Abrasive or chemical cleaners may harm the finish and should not be used. Shade to be dusted with a clean dry cloth.

*Please refer to our Terms & Conditions for further information.



H&
CO

LIGHT BEYOND DESIGN

Heathfield&Co

Product Specification Sheet

TABLE LAMP | CONSTANCE NICKEL AND OPAL JADE



PRODUCT INFORMATION

Base Code: TL-CONS-PLNL-OPJD-SJD

Material: Metal & Glass

Finish shown: Opal Jade

Metalwork: Polished Nickel

Lampshade: 18" Oval / SH-18-OVAL

Flex: UK & EU 1.5 metres of Old Silver twisted flex /
US Old Silver braided flex

TECHNICAL INFORMATION

Weight: 3kg / 6.6lbs

Plug: Black 13amp UK plug /

Black Schuko EU plug / Black US polarised plug

Switching: Black inline switch

Lamping: 1x E27 lampholder / 1x E26 US lampholder
60W max. LED lamps recommended.

Lamps not included

BASE HEIGHT: 580 mm / 23"

TOTAL HEIGHT: 880 mm / 34^{1/2}"

BASE WIDTH: 280 mm / 11"

SHADE WIDTH: 450 mm / 17^{3/4}"

UKCA / CE / UL COMPLIANT

WARRANTY

10 years*

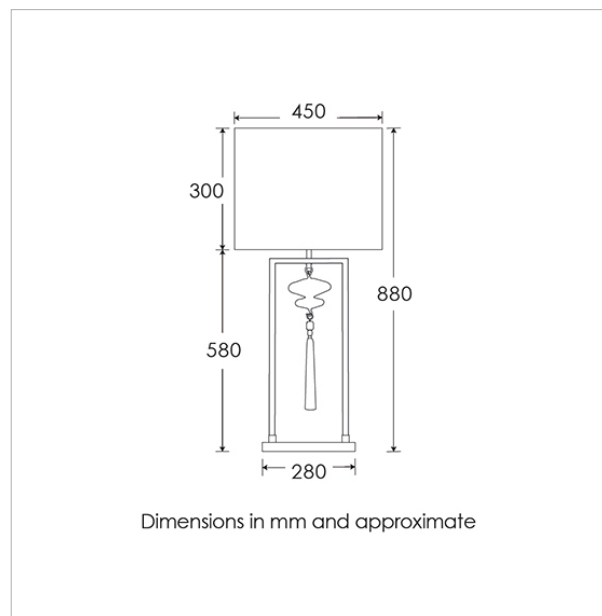
FINISHING NOTE

Our carefully selected glass and metalwork components are all hand finished by skilled artisans and as such no two products are exactly the same - something that adds to the unique charm of this product.

CLEANING INSTRUCTIONS

The finishes on this luminaire only require regular cleaning with a soft dry duster. Abrasive or chemical cleaners may harm the finish and should not be used. Shade to be dusted with a clean dry cloth.

*Please refer to our Terms & Conditions for further information.



H&
CO

LIGHT BEYOND DESIGN