

Heathfield&Co

Product Specification Sheet

FLOOR LAMP | SURI



PRODUCT INFORMATION

Base Code: FL-SURI-SBRS-WHTE-SMO

Material: Ceramic, Wood & Metal

Finish shown: Smoked Oak & White Ceramic

Metalwork: Satin Brass

Flex: UK & EU 1.5 metres of Oatmeal braided flex /

US Oatmeal braided flex

TECHNICAL INFORMATION

Weight: 5.5kg / 12lbs

Plug: White 13amp UK plug /

White Schuko EU plug / White US polarised plug

Switching: White foot switch

Lamping: 1x E27 lampholder / 1x E26 US lampholder

40W max. LED lamps recommended.

Lamps not included

BASE HEIGHT: 1500 mm / 59"

TOTAL HEIGHT: 1500 mm / 59"

BASE WIDTH: 330 mm / 13"

SHADE WIDTH: 205 mm / 8"

UKCA / CE / UL COMPLIANT

WARRANTY

10 years*

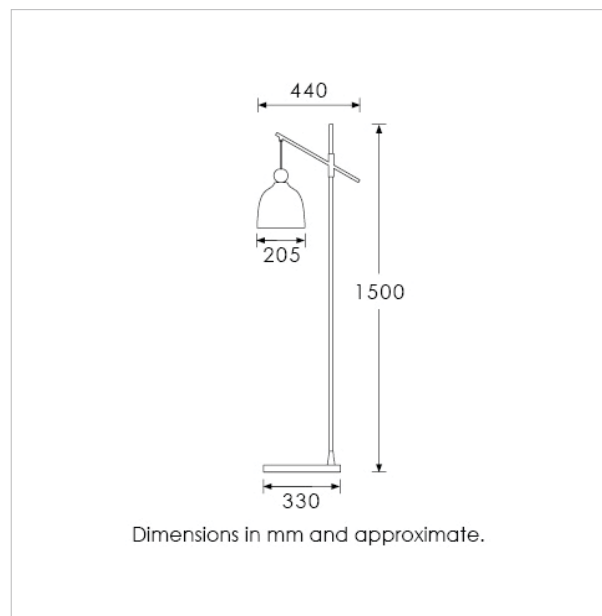
FINISHING NOTE

The ceramic glazes that we have used on this lamp will create differences from piece to piece - variations in colour, formation and detailing. As such, it is part of the charm that no two products are exactly the same.

CLEANING INSTRUCTIONS

The finishes on this luminaire only require regular cleaning with a soft dry duster. Abrasive or chemical cleaners may harm the finish and should not be used. Shade to be dusted with a clean dry cloth.

*Please refer to our Terms & Conditions for further information.



H&
CO

LIGHT BEYOND DESIGN

www.heathfield.co.uk | +44 (0) 1732 350450 | sales@heathfield.co.uk
Unit 1, Priory Road, Tonbridge, Kent, TN9 2AF, United Kingdom. This specification is subject to our standard Terms & Conditions, a copy of which can be found at heathfield.co.uk. © 2023 Heathfield & Co. All rights reserved.