

Heathfield&Co

Product Specification Sheet

FLOOR LAMP | EZRA BRASS



PRODUCT INFORMATION

Base Code: FL-EZRA-SBRS-MOCH

Material: Metal & Marble

Metalwork: Satin Brass

Finish shown: Mocha

Flex: UK & EU 1.5 metres of Black braided flex /
US Black braided cable

TECHNICAL INFORMATION

Weight: 8.5kg / 18.7lbs

Plug: Black 13amp UK plug /

Black Schuko EU plug / Black US polarised plug

Switching: Black foot switch

Lamping: 1x G9 lampholder / 1x G9 US lampholder
25W max. LED lamps recommended.

Lamps not included

BASE HEIGHT: 1200 mm / 47^{1/4}"

TOTAL HEIGHT: 1200 mm / 47^{1/4}"

BASE WIDTH: 170 mm / 6^{3/4}"

UKCA / CE / WIRED USING US COMPONENTS

WARRANTY

10 years*

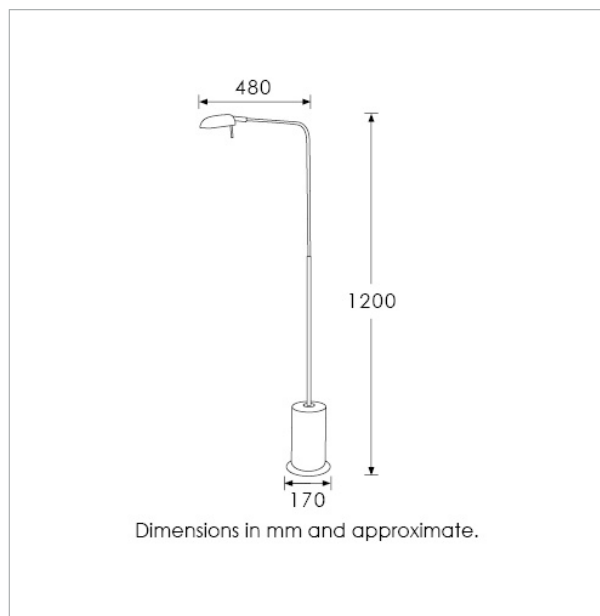
FINISHING NOTE

Marble is a natural material with distinctly unique formations, markings and colouration. It is part of its charm that no two lamps are exactly the same. All metalwork is handcrafted and may vary from piece to piece with slight variations in finish and detailing.

CLEANING INSTRUCTIONS

The finishes on this luminaire only require regular cleaning with a soft dry duster. Abrasive or chemical cleaners may harm the finish and should not be used.

*Please refer to our Terms & Conditions for further information.



H&
CO

LIGHT BEYOND DESIGN

Heathfield&Co

Product Specification Sheet

FLOOR LAMP | EZRA BRONZE



PRODUCT INFORMATION

Base Code: FL-EZRA-BRNZ-BLCK

Material: Metal & Marble

Metalwork: Bronze

Finish shown: Black

Flex: UK & EU 1.5 metres of Black braided flex /
US Black braided cable

TECHNICAL INFORMATION

Weight: 8.5kg / 18.7lbs

Plug: Black 13amp UK plug /

Black Schuko EU plug / Black US polarised plug

Switching: Black foot switch

Lamping: 1x G9 lampholder / 1x G9 US lampholder
25W max. LED lamps recommended.

Lamps not included

BASE HEIGHT: 1200 mm / 47^{1/4}"

TOTAL HEIGHT: 1200 mm / 47^{1/4}"

BASE WIDTH: 170 mm / 6^{3/4}"

UKCA / CE / WIRED USING US COMPONENTS

WARRANTY

10 years*

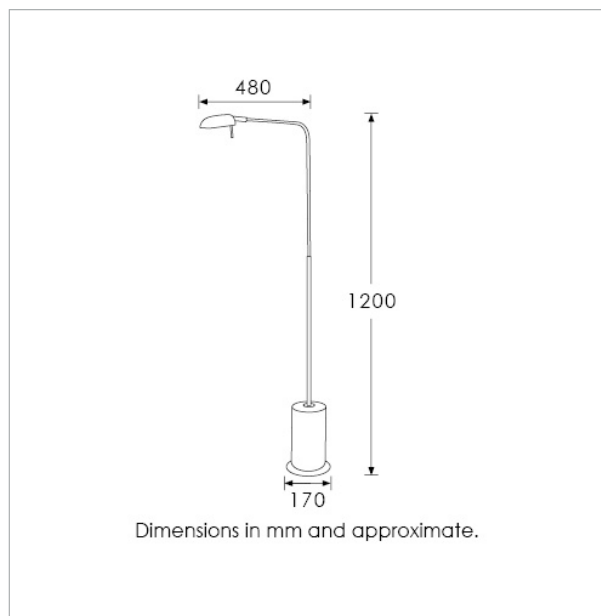
FINISHING NOTE

Marble is a natural material with distinctly unique formations, markings and colouration. It is part of its charm that no two lamps are exactly the same. All metalwork is handcrafted and may vary from piece to piece with slight variations in finish and detailing.

CLEANING INSTRUCTIONS

The finishes on this luminaire only require regular cleaning with a soft dry duster. Abrasive or chemical cleaners may harm the finish and should not be used.

*Please refer to our Terms & Conditions for further information.



H&
CO

LIGHT BEYOND DESIGN

www.heathfield.co.uk | +44 (0) 1732 350450 | sales@heathfield.co.uk
Unit 1, Priory Road, Tonbridge, Kent, TN9 2AF, United Kingdom. This specification is subject to our standard Terms & Conditions, a copy of which can be found at heathfield.co.uk. © 2023 Heathfield & Co. All rights reserved.