

# Heathfield&Co

## Product Specification Sheet

FLOOR LAMP | HARLOW



### PRODUCT INFORMATION

Base Code: FL-HARL-BRNZ  
Material: Ceramic & Metal  
Finish shown: Grey  
Flex: UK & EU 1.5 metres of Black braided flex /  
US Black braided cable

### TECHNICAL INFORMATION

Weight: 6.7kg / 14.7lbs  
Plug: Black 13amp UK plug /  
Black Schuko EU plug / Black US polarised plug  
Switching: Black foot switch  
Lamping: 1x E27 lampholder / 1x E26 US lampholder  
40W max. LED lamps recommended.  
Lamps not included

BASE HEIGHT: 1500 mm / 59"  
TOTAL HEIGHT: 1500 mm / 59"  
BASE WIDTH: 250 mm / 9<sup>3</sup>/<sub>4</sub>"

UKCA / CE / UL COMPLIANT

### WARRANTY

10 years\*

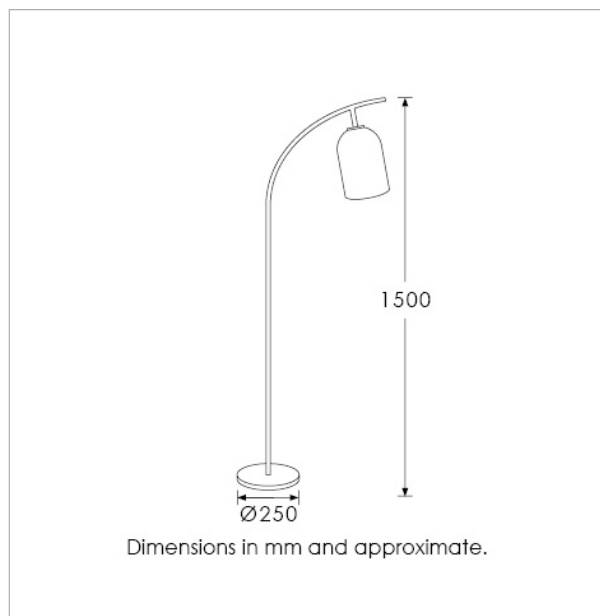
### FINISHING NOTE

The ceramic glazes that we have used on this lamp will create differences from piece to piece - variations in colour, formation and detailing. As such, it is part of the charm that no two products are exactly the same.

### CLEANING INSTRUCTIONS

The finishes on this luminaire only require regular cleaning with a soft dry duster. Abrasive or chemical cleaners may harm the finish and should not be used.

\*Please refer to our Terms & Conditions for further information.



H&  
CO

LIGHT BEYOND DESIGN