

# Heathfield&Co

## Product Specification Sheet

WALL LIGHT | NARA



### PRODUCT INFORMATION

Base Code: WL-NARA-BRNZ-CLER

Material: Metal & Glass

Finish shown: Clear

### TECHNICAL INFORMATION

Weight: 1.8kg / 4lbs

Switching & Plug: Hardwired

Lamping: 1x E14 lampholder / 1x E12 US lampholder

25W max. LED lamps recommended.

Lamps not included

TOTAL HEIGHT: 240 mm / 9<sup>1</sup>/<sub>2</sub>"

TOTAL WIDTH: 180 mm / 7"

PROJECTION: 230 mm / 9"

UKCA / CE / UL COMPLIANT

### WARRANTY

10 years\*

### FINISHING NOTE

Our carefully selected glass and metalwork components are all hand finished by skilled artisans and as such no two products are exactly the same - something that adds to the unique charm of this product.

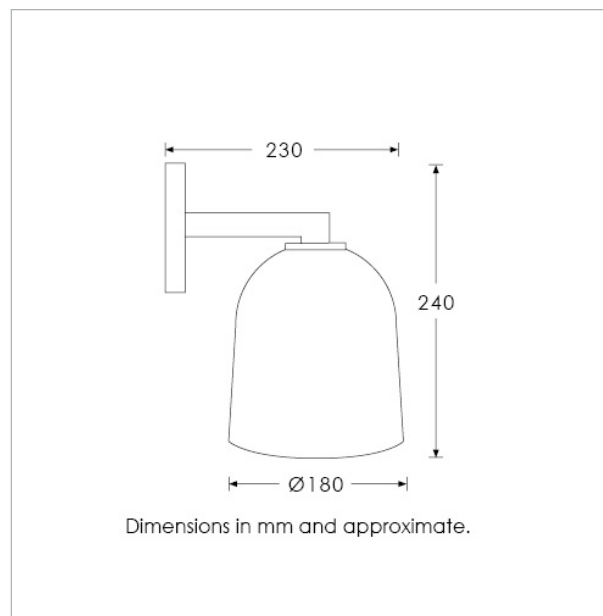
### CLEANING INSTRUCTIONS

The finishes on this luminaire only require regular cleaning with a soft dry duster. Abrasive or chemical cleaners may harm the finish and should not be used.

### FIXING NOTE

It is the buyer's responsibility to ensure that suitable fixings are used.

\*Please refer to our Terms & Conditions for further information.



H&  
CO

LIGHT BEYOND DESIGN