

Heathfield&Co

Product Specification Sheet

WALL LIGHT | KOA



PRODUCT INFORMATION

Base Code: WL-KOA-SBRS-CLER

Material: Metal & Glass

Finish shown: Clear

Metalwork: Satin Brass

TECHNICAL INFORMATION

Weight: 1.5kg / 3.3lbs

Switching & Plug: Hardwired

Lamping: 1x G9 lampholder / 1x G9 US lampholder
25W max. LED lamps recommended.

Lamps not included

TOTAL HEIGHT: 470 mm / 18¹/₂"

TOTAL WIDTH: 140 mm / 5¹/₂"

PROJECTION: 190 mm / 7¹/₂"

UKCA / CE / WIRED USING US COMPONENTS

WARRANTY

10 years**

FINISHING NOTE

Our carefully selected glass and metalwork components are all hand finished by skilled artisans and as such no two products are exactly the same - something that adds to the unique charm of this product.

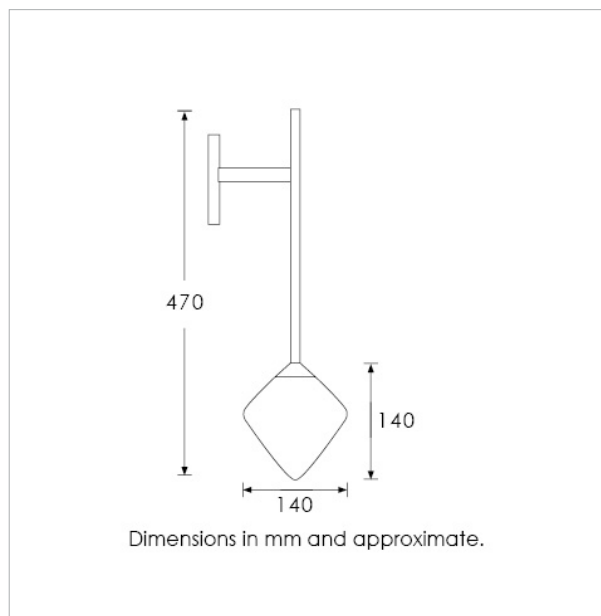
CLEANING INSTRUCTIONS

The finishes on this luminaire only require regular cleaning with a soft dry duster. Abrasive or chemical cleaners may harm the finish and should not be used.

FIXING NOTE

It is the buyer's responsibility to ensure that suitable fixings are used.

*Please refer to our Terms & Conditions for further information.



H&CO

LIGHT BEYOND DESIGN

www.heathfield.co.uk | +44 (0) 1732 350450 | sales@heathfield.co.uk
Unit 1, Priory Road, Tonbridge, Kent, TN9 2AF, United Kingdom. This specification is subject to our standard Terms & Conditions, a copy of which can be found at heathfield.co.uk. © 2022 Heathfield & Co. All rights reserved.