

# Heathfield&Co

## Product Specification Sheet

WALL LIGHT | DERWENT ANTIQUE BRASS



### PRODUCT INFORMATION

Base Code: WL-DERW-ABRS

Material: Metal

Finish shown: Antique Brass

Lampshade: 4" Tall Drum / SH-04-TLDR

### TECHNICAL INFORMATION

Weight: 1.3kg / 2.8lbs

Switching & Plug: Hardwired

Lamping: 1x E14 lampholder / 1x E12 US lampholder  
25W max. LED lamps recommended.

Lamps not included

TOTAL HEIGHT: 300 mm / 11<sup>3/4</sup>"

TOTAL WIDTH: 205 mm / 8"

PROJECTION: 205 mm / 8"

UKCA / CE / UL COMPLIANT

### WARRANTY

10 years\*

### FINISHING NOTE

All metalwork is handcrafted and may vary from piece to piece with slight variation in finish and detailing.

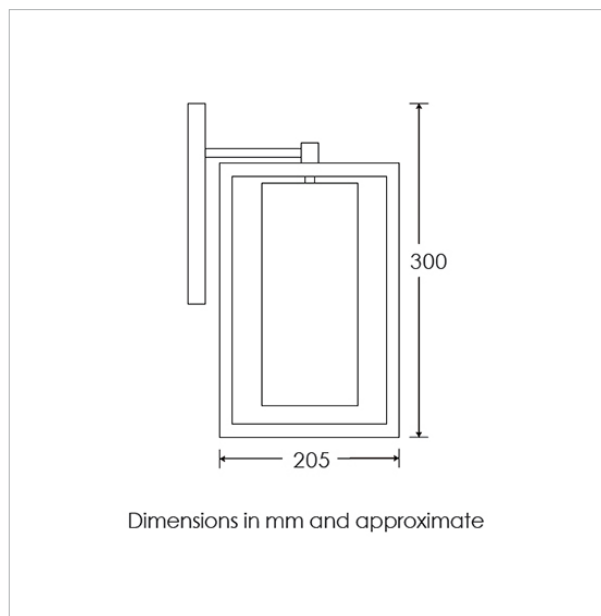
### CLEANING INSTRUCTIONS

The finishes on this luminaire only require regular cleaning with a soft dry duster. Abrasive or chemical cleaners may harm the finish and should not be used. Shade to be dusted with a clean dry cloth.

### FIXING NOTE

It is the buyer's responsibility to ensure that suitable fixings are used.

\*Please refer to our Terms & Conditions for further information.



H&  
CO

LIGHT BEYOND DESIGN

# Heathfield&Co

## Product Specification Sheet

WALL LIGHT | DERWENT BRONZE



### PRODUCT INFORMATION

Base Code: WL-DERW-DBRZ

Material: Metal

Finish shown: Bronze

Lampshade: 4" Tall Drum / SH-04-TLDR

### TECHNICAL INFORMATION

Weight: 1.3kg / 2.8lbs

Switching & Plug: Hardwired

Lamping: 1x E14 lampholder / 1x E12 US lampholder  
25W max. LED lamps recommended.

Lamps not included

TOTAL HEIGHT: 300 mm / 11<sup>3/4</sup>"

TOTAL WIDTH: 205 mm / 8"

PROJECTION: 205 mm / 8"

UKCA / CE / UL COMPLIANT

### WARRANTY

10 years\*

### FINISHING NOTE

All metalwork is handcrafted and may vary from piece to piece with slight variation in finish and detailing.

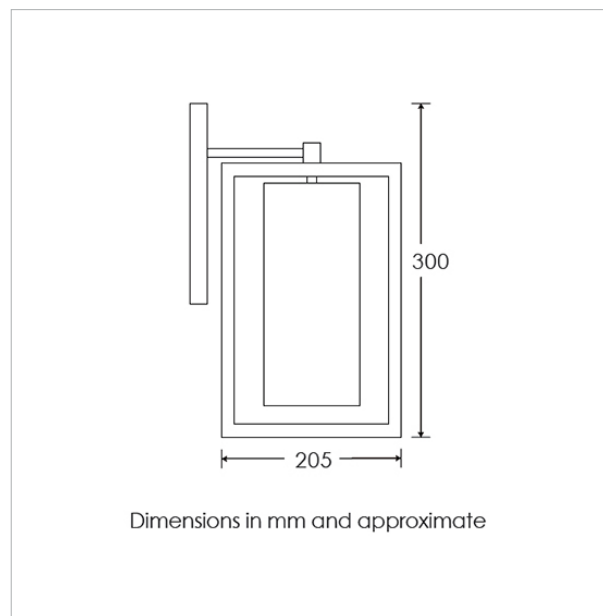
### CLEANING INSTRUCTIONS

The finishes on this luminaire only require regular cleaning with a soft dry duster. Abrasive or chemical cleaners may harm the finish and should not be used. Shade to be dusted with a clean dry cloth.

### FIXING NOTE

It is the buyer's responsibility to ensure that suitable fixings are used.

\*Please refer to our Terms & Conditions for further information.



H&  
CO

LIGHT BEYOND DESIGN

# Heathfield&Co

## Product Specification Sheet

WALL LIGHT | DERWENT NICKEL



### PRODUCT INFORMATION

Base Code: WL-DERW-PLNL

Material: Metal

Finish shown: Nickel

Lampshade: 4" Tall Drum / SH-04-TLDR

### TECHNICAL INFORMATION

Weight: 1.3kg / 2.8lbs

Switching & Plug: Hardwired

Lamping: 1x E14 lampholder / 1x E12 US lampholder  
25W max. LED lamps recommended.

Lamps not included

TOTAL HEIGHT: 300 mm / 11<sup>3/4</sup>"

TOTAL WIDTH: 205 mm / 8"

PROJECTION: 205 mm / 8"

UKCA / CE / UL COMPLIANT

### WARRANTY

10 years\*\*

### FINISHING NOTE

All metalwork is handcrafted and may vary from piece to piece with slight variation in finish and detailing.

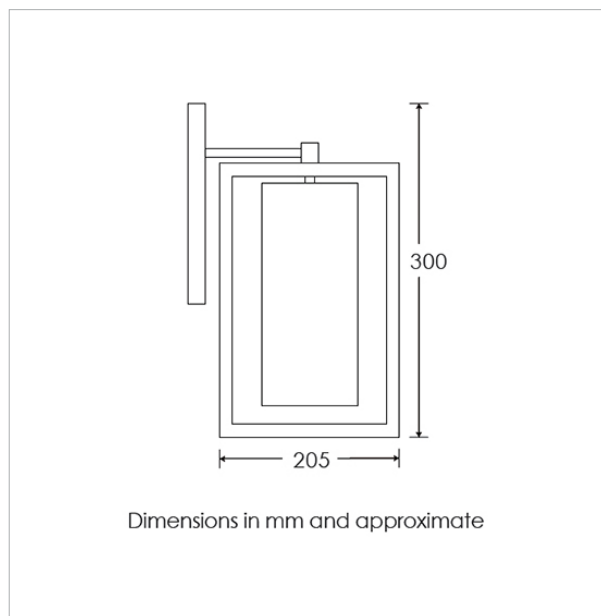
### CLEANING INSTRUCTIONS

The finishes on this luminaire only require regular cleaning with a soft dry duster. Abrasive or chemical cleaners may harm the finish and should not be used. Shade to be dusted with a clean dry cloth.

### FIXING NOTE

It is the buyer's responsibility to ensure that suitable fixings are used.

\*Please refer to our Terms & Conditions for further information.



H&  
CO

LIGHT BEYOND DESIGN