

# Heathfield&Co

## Product Specification Sheet

WALL LIGHT | YVES ANTIQUE BRASS



### PRODUCT INFORMATION

Base Code: WL-YVES-ABRS  
Material: Metal  
Finish shown: Antique Brass  
Lampshade: 10" Crescent / SH-10-CRES

### TECHNICAL INFORMATION

Weight: 0.6kg / 1.3lbs  
Switching & Plug: Hardwired  
Lamping: 1x E14 lampholder / 1x E12 US lampholder  
25W max. LED lamps recommended.  
Lamps not included

TOTAL HEIGHT: 505 mm / 20"  
TOTAL WIDTH: 260 mm / 10"  
PROJECTION: 145 mm / 5<sup>3/4</sup>"

UKCA / CE / UL COMPLIANT

### WARRANTY

10 years\*

### FINISHING NOTE

All metalwork is handcrafted and may vary from piece to piece with slight variation in finish and detailing.

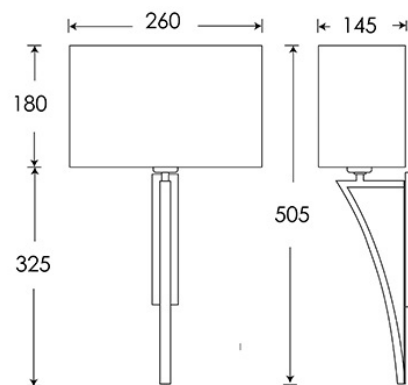
### CLEANING INSTRUCTIONS

The finishes on this luminaire only require regular cleaning with a soft dry duster. Abrasive or chemical cleaners may harm the finish and should not be used. Shade to be dusted with a clean dry cloth.

### FIXING NOTE

It is the buyer's responsibility to ensure that suitable fixings are used.

\*Please refer to our Terms & Conditions for further information.



Dimensions in mm and approximate.

H&CO

LIGHT BEYOND DESIGN

# Heathfield&Co

## Product Specification Sheet

WALL LIGHT | YVES BRONZE



### PRODUCT INFORMATION

Base Code: WL-YVES-DBNZ

Material: Metal

Finish shown: Bronze

Lampshade: 10" Crescent / SH-10-CRES

### TECHNICAL INFORMATION

Weight: 0.6kg / 1.3lbs

Switching & Plug: Hardwired

Lamping: 1x E14 lampholder / 1x E12 US lampholder  
25W max. LED lamps recommended.

Lamps not included

TOTAL HEIGHT: 505 mm / 20"

TOTAL WIDTH: 260 mm / 10"

PROJECTION: 145 mm / 5<sup>3/4</sup>"

UKCA / CE / UL COMPLIANT

### WARRANTY

10 years\*

### FINISHING NOTE

All metalwork is handcrafted and may vary from piece to piece with slight variation in finish and detailing.

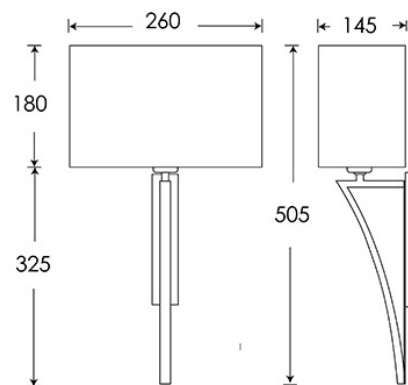
### CLEANING INSTRUCTIONS

The finishes on this luminaire only require regular cleaning with a soft dry duster. Abrasive or chemical cleaners may harm the finish and should not be used. Shade to be dusted with a clean dry cloth.

### FIXING NOTE

It is the buyer's responsibility to ensure that suitable fixings are used.

\*Please refer to our Terms & Conditions for further information.



Dimensions in mm and approximate.

H&  
CO

LIGHT BEYOND DESIGN

# Heathfield&Co

## Product Specification Sheet

WALL LIGHT | YVES NICKEL



### PRODUCT INFORMATION

Base Code: WL-YVES-PLNL  
Material: Metal  
Finish shown: Nickel  
Lampshade: 10" Crescent / SH-10-CRES

### TECHNICAL INFORMATION

Weight: 0.6kg / 1.3lbs  
Switching & Plug: Hardwired  
Lamping: 1x E14 lampholder / 1x E12 US lampholder  
25W max. LED lamps recommended.  
Lamps not included

TOTAL HEIGHT: 505 mm / 20"  
TOTAL WIDTH: 260 mm / 10"  
PROJECTION: 145 mm / 5<sup>3/4</sup>"

UKCA / CE / UL COMPLIANT

### WARRANTY

10 years\*

### FINISHING NOTE

All metalwork is handcrafted and may vary from piece to piece with slight variation in finish and detailing.

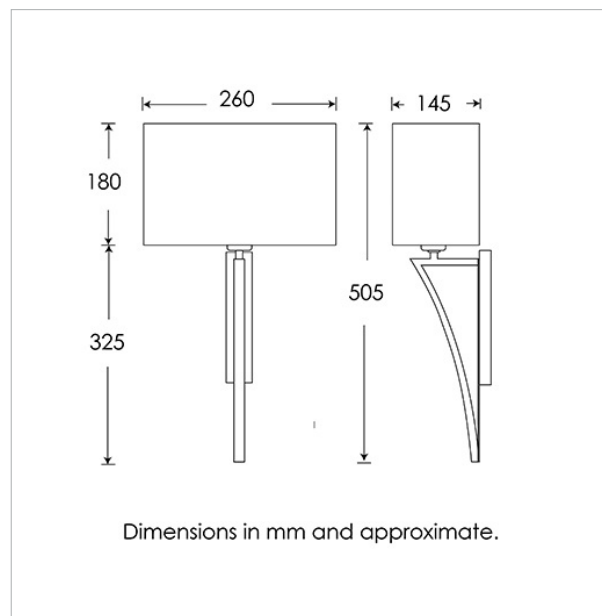
### CLEANING INSTRUCTIONS

The finishes on this luminaire only require regular cleaning with a soft dry duster. Abrasive or chemical cleaners may harm the finish and should not be used. Shade to be dusted with a clean dry cloth.

### FIXING NOTE

It is the buyer's responsibility to ensure that suitable fixings are used.

\*Please refer to our Terms & Conditions for further information.



H&  
CO

LIGHT BEYOND DESIGN