

Heathfield&Co

Product Specification Sheet

WALL LIGHT | ALETTE ANTIQUE BRASS



PRODUCT INFORMATION

Base Code: WL-ALET-ABRS-SMOK

Material: Metal & Glass

Finish shown: Smoke

Lampshade: 12" Crescent / SH-12-CRES

TECHNICAL INFORMATION

Weight: 1.6kg / 3.5lbs

Switching & Plug: Hardwired

Lamping: 1x E14 lampholder / 1x E12 US lampholder
25W max. LED lamps recommended.

Lamps not included

TOTAL HEIGHT: 430 mm / 17"

TOTAL WIDTH: 305 mm / 12"

PROJECTION: 180 mm / 7"

UKCA / CE / UL COMPLIANT

WARRANTY

10 years*

FINISHING NOTE

All our glasswork is hand blown and will vary from piece to piece - variations in form and proportion. Colour formation, pattern and finishing details are unique to each lamp and it is part of the charm that no two products are exactly the same.

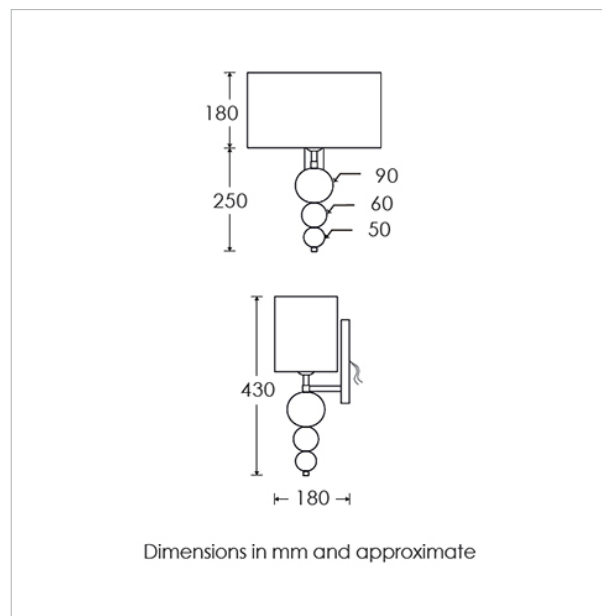
CLEANING INSTRUCTIONS

The finishes on this luminaire only require regular cleaning with a soft dry duster. Abrasive or chemical cleaners may harm the finish and should not be used. Shade to be dusted with a clean dry cloth.

FIXING NOTE

It is the buyer's responsibility to ensure that suitable fixings are used.

*Please refer to our Terms & Conditions for further information.



H&
CO

LIGHT BEYOND DESIGN

Heathfield&Co

Product Specification Sheet

WALL LIGHT | ALETTE BRONZE



PRODUCT INFORMATION

Base Code: WL-ALET-DBRZ-SMOK

Material: Metal & Glass

Finish shown: Smoke

Lampshade: 12" Crescent / SH-12-CRES

TECHNICAL INFORMATION

Weight: 1.6kg / 3.5lbs

Switching & Plug: Hardwired

Lamping: 1x E14 lampholder / 1x E12 US lampholder
25W max. LED lamps recommended.

Lamps not included

TOTAL HEIGHT: 430 mm / 17"

TOTAL WIDTH: 305 mm / 12"

PROJECTION: 180 mm / 7"

UKCA / CE / UL COMPLIANT

WARRANTY

10 years*

FINISHING NOTE

All our glasswork is hand blown and will vary from piece to piece - variations in form and proportion. Colour formation, pattern and finishing details are unique

to each lamp and it is part of the charm that no two products are exactly the same.

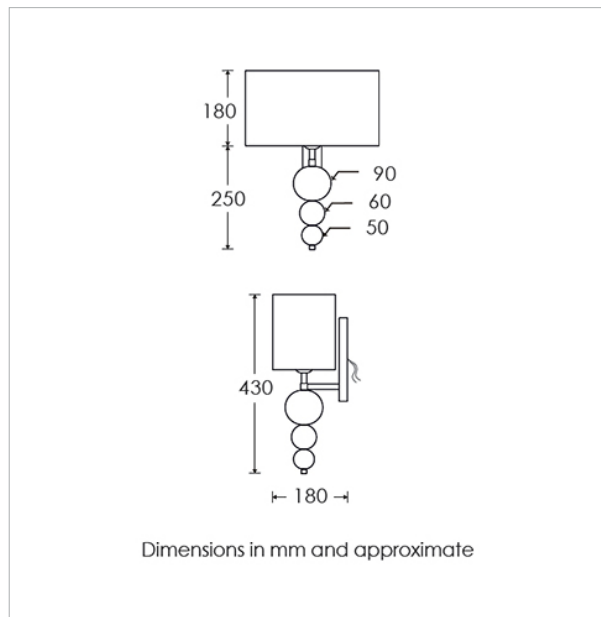
CLEANING INSTRUCTIONS

The finishes on this luminaire only require regular cleaning with a soft dry duster. Abrasive or chemical cleaners may harm the finish and should not be used. Shade to be dusted with a clean dry cloth.

FIXING NOTE

It is the buyer's responsibility to ensure that suitable fixings are used.

*Please refer to our Terms & Conditions for further information.



H&
CO

LIGHT BEYOND DESIGN

Heathfield&Co

Product Specification Sheet

WALL LIGHT | ALETTE NICKEL



PRODUCT INFORMATION

Base Code: WL-ALET-PLNL-OPJD

Material: Metal & Glass

Finish shown: Opal Jade

Lampshade: 12" Crescent / SH-12-CRES

TECHNICAL INFORMATION

Weight: 1.6kg / 3.5lbs

Switching & Plug: Hardwired

Lamping: 1x E14 lampholder / 1x E12 US lampholder
25W max. LED lamps recommended.

Lamps not included

TOTAL HEIGHT: 430 mm / 17"

TOTAL WIDTH: 305 mm / 12"

PROJECTION: 180 mm / 7"

UKCA / CE / UL COMPLIANT

WARRANTY

10 years*

FINISHING NOTE

All our glasswork is hand blown and will vary from piece to piece - variations in form and proportion. Colour formation, pattern and finishing details are unique to each lamp and it is part of the charm that no two products are exactly the same.

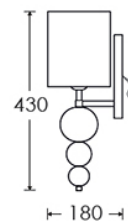
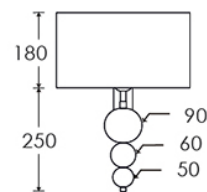
CLEANING INSTRUCTIONS

The finishes on this luminaire only require regular cleaning with a soft dry duster. Abrasive or chemical cleaners may harm the finish and should not be used. Shade to be dusted with a clean dry cloth.

FIXING NOTE

It is the buyer's responsibility to ensure that suitable fixings are used.

*Please refer to our Terms & Conditions for further information.



Dimensions in mm and approximate

H&
CO

LIGHT BEYOND DESIGN