

Heathfield&Co

Product Specification Sheet

WALL LIGHT | ORLA SMALL SATIN BRASS



PRODUCT INFORMATION

Base Code: WL-ORLA-SBRS-SPEC-00S

Material: Brass & Glass

Finish shown: Speckle

TECHNICAL INFORMATION

Weight: 1kg / 2.2lbs

Switching & Plug: Hardwired

Lamping: 1x G9 lampholder

25W max. LED lamps recommended.

Lamps not included

TOTAL HEIGHT: 140 mm / 5¹/₂"

TOTAL WIDTH: 140 mm / 5¹/₂"

PROJECTION: 115 mm / 4¹/₂"

UKCA / CE / WIRED USING US COMPONENTS

WARRANTY

10 years*

FINISHING NOTE

Our carefully selected glass and metalwork components are all hand finished by skilled artisans and as such no two products are exactly the same - something that adds to the unique charm of this product.

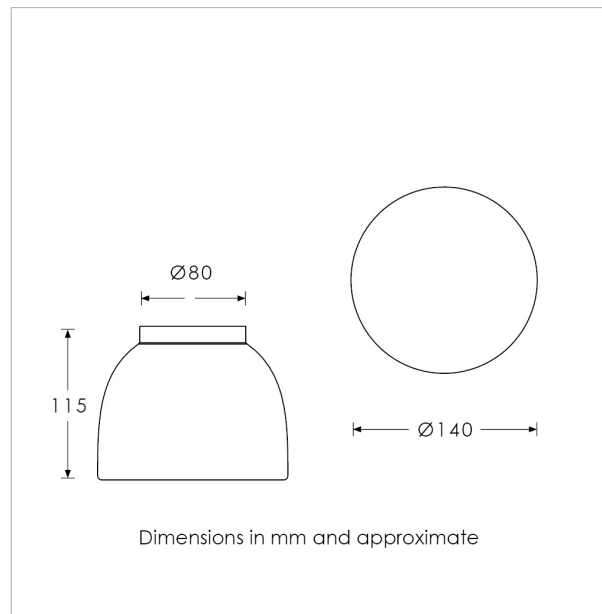
CLEANING INSTRUCTIONS

The finishes on this luminaire only require regular cleaning with a soft dry duster. Abrasive or chemical cleaners may harm the finish and should not be used.

FIXING NOTE

It is the buyer's responsibility to ensure that suitable fixings are used.

*Please refer to our Terms & Conditions for further information.



H&CO

LIGHT BEYOND DESIGN

Heathfield&Co

Product Specification Sheet

WALL LIGHT | ORLA SMALL BRONZE



PRODUCT INFORMATION

Base Code: WL-ORLA-BRNZ-SPEC-00S

Material: Bronze & Glass

Finish shown: Speckle

TECHNICAL INFORMATION

Weight: 1kg / 2.2lbs

Switching & Plug: Hardwired

Lamping: 1x G9 lampholder

25W max. LED lamps recommended.

Lamps not included

TOTAL HEIGHT: 140 mm / 5¹/₂"

TOTAL WIDTH: 140 mm / 5¹/₂"

PROJECTION: 115 mm / 4¹/₂"

UKCA / CE / WIRED USING US COMPONENTS

WARRANTY

10 years*

FINISHING NOTE

Our carefully selected glass and metalwork components are all hand finished by skilled artisans and as such no two products are exactly the same - something that adds to the unique charm of this product.

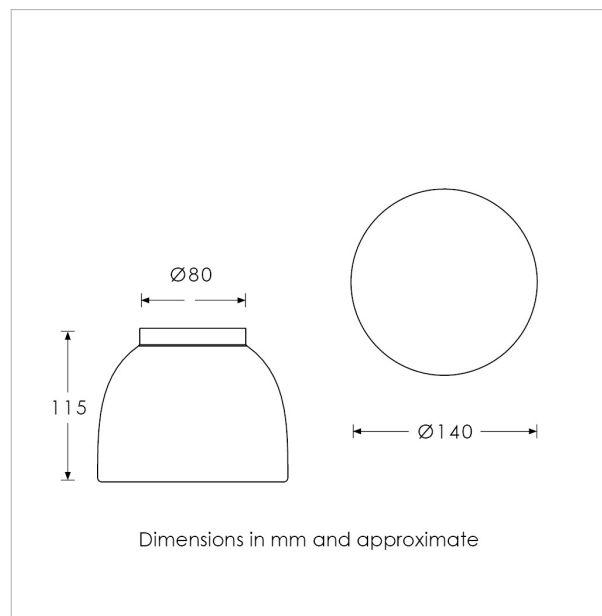
CLEANING INSTRUCTIONS

The finishes on this luminaire only require regular cleaning with a soft dry duster. Abrasive or chemical cleaners may harm the finish and should not be used.

FIXING NOTE

It is the buyer's responsibility to ensure that suitable fixings are used.

*Please refer to our Terms & Conditions for further information.



H&CO

LIGHT BEYOND DESIGN

www.heathfield.co.uk | +44 (0) 1732 350450 | sales@heathfield.co.uk
Unit 1, Priory Road, Tonbridge, Kent, TN9 2AF, United Kingdom. This specification is subject to our standard Terms & Conditions, a copy of which can be found at heathfield.co.uk. © 2023 Heathfield & Co. All rights reserved.

Heathfield&Co

Product Specification Sheet

WALL LIGHT | ORLA MEDIUM SATIN BRASS



PRODUCT INFORMATION

Base Code: WL-ORLA-SBRS-SPEC-00M

Material: Brass & Glass

Finish shown: Speckle

TECHNICAL INFORMATION

Weight: 1.3kg / 2.8lbs

Switching & Plug: Hardwired

Lamping: 1x G9 lampholder

25W max. LED lamps recommended.

Lamps not included

TOTAL HEIGHT: 155 mm / 6"

TOTAL WIDTH: 155 mm / 6"

PROJECTION: 125 mm / 5"

UKCA / CE / WIRED USING US COMPONENTS

WARRANTY

10 years*

FINISHING NOTE

Our carefully selected glass and metalwork components are all hand finished by skilled artisans and as such no two products are exactly the same - something that adds to the unique charm of this product.

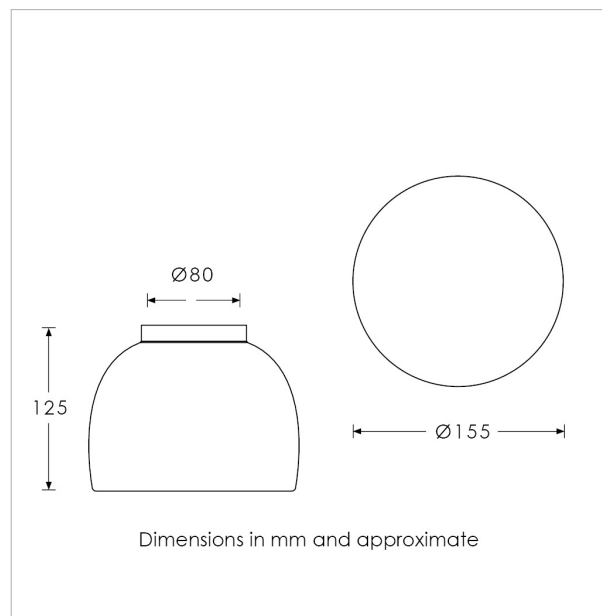
CLEANING INSTRUCTIONS

The finishes on this luminaire only require regular cleaning with a soft dry duster. Abrasive or chemical cleaners may harm the finish and should not be used.

FIXING NOTE

It is the buyer's responsibility to ensure that suitable fixings are used.

*Please refer to our Terms & Conditions for further information.



H&CO

LIGHT BEYOND DESIGN

Heathfield&Co

Product Specification Sheet

WALL LIGHT | ORLA MEDIUM BRONZE



PRODUCT INFORMATION

Base Code: WL-ORLA-BRNZ-SPEC-00M

Material: Bronze & Glass

Finish shown: Speckle

TECHNICAL INFORMATION

Weight: 1.3kg / 2.8lbs

Switching & Plug: Hardwired

Lamping: 1x G9 lampholder

25W max. LED lamps recommended.

Lamps not included

TOTAL HEIGHT: 155 mm / 6"

TOTAL WIDTH: 155 mm / 6"

PROJECTION: 125 mm / 5"

UKCA / CE / WIRED USING US COMPONENTS

WARRANTY

10 years*

FINISHING NOTE

Our carefully selected glass and metalwork components are all hand finished by skilled artisans and as such no two products are exactly the same - something that adds to the unique charm of this product.

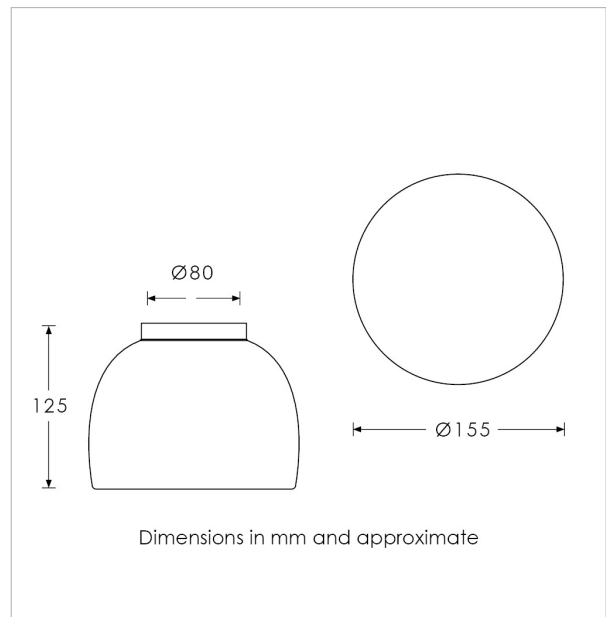
CLEANING INSTRUCTIONS

The finishes on this luminaire only require regular cleaning with a soft dry duster. Abrasive or chemical cleaners may harm the finish and should not be used.

FIXING NOTE

It is the buyer's responsibility to ensure that suitable fixings are used.

*Please refer to our Terms & Conditions for further information.



H&CO

LIGHT BEYOND DESIGN

www.heathfield.co.uk | +44 (0) 1732 350450 | sales@heathfield.co.uk
Unit 1, Priory Road, Tonbridge, Kent, TN9 2AF, United Kingdom. This specification is subject to our standard Terms & Conditions, a copy of which can be found at heathfield.co.uk. © 2023 Heathfield & Co. All rights reserved.

Heathfield&Co

Product Specification Sheet

WALL LIGHT | ORLA LARGE SATIN BRASS



PRODUCT INFORMATION

Base Code: WL-ORLA-SBRS-SPEC-00L

Material: Brass & Glass

Finish shown: Speckle

TECHNICAL INFORMATION

Weight: 2kg / 4.4lbs

Switching & Plug: Hardwired

Lamping: 1x G9 lampholder

25W max. LED lamps recommended.

Lamps not included

TOTAL HEIGHT: 240 mm / 9¹/₂"

TOTAL WIDTH: 240 mm / 9¹/₂"

PROJECTION: 135 mm / 5¹/₄"

UKCA / CE / WIRED USING US COMPONENTS

WARRANTY

10 years*

FINISHING NOTE

Our carefully selected glass and metalwork components are all hand finished by skilled artisans and as such no two products are exactly the same - something that adds to the unique charm of this product.

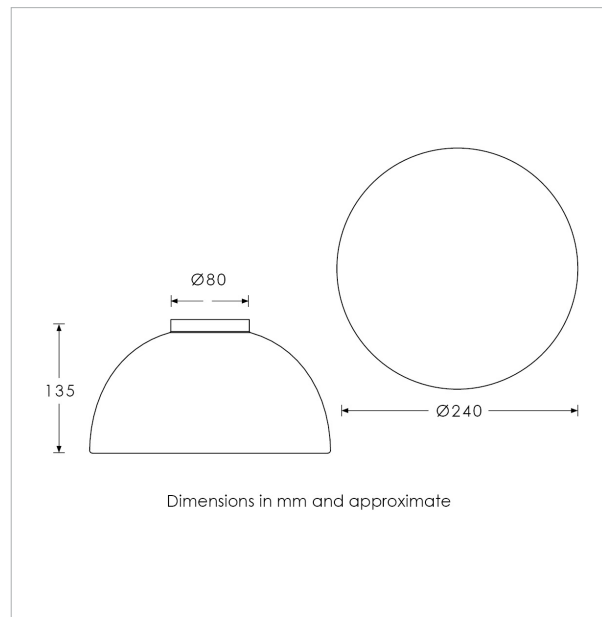
CLEANING INSTRUCTIONS

The finishes on this luminaire only require regular cleaning with a soft dry duster. Abrasive or chemical cleaners may harm the finish and should not be used.

FIXING NOTE

It is the buyer's responsibility to ensure that suitable fixings are used.

*Please refer to our Terms & Conditions for further information.



H&
CO

LIGHT BEYOND DESIGN

Heathfield&Co

Product Specification Sheet

WALL LIGHT | ORLA LARGE BRONZE



PRODUCT INFORMATION

Base Code: WL-ORLA-BRNZ-SPEC-00L

Material: Bronze & Glass

Finish shown: Speckle

TECHNICAL INFORMATION

Weight: 2kg / 4.4lbs

Switching & Plug: Hardwired

Lamping: 1x G9 lampholder

25W max. LED lamps recommended.

Lamps not included

TOTAL HEIGHT: 240 mm / 9¹/₂"

TOTAL WIDTH: 240 mm / 9¹/₂"

PROJECTION: 135 mm / 5¹/₄"

UKCA / CE / WIRED USING US COMPONENTS

WARRANTY

10 years*

FINISHING NOTE

Our carefully selected glass and metalwork components are all hand finished by skilled artisans and as such no two products are exactly the same - something that adds to the unique charm of this product.

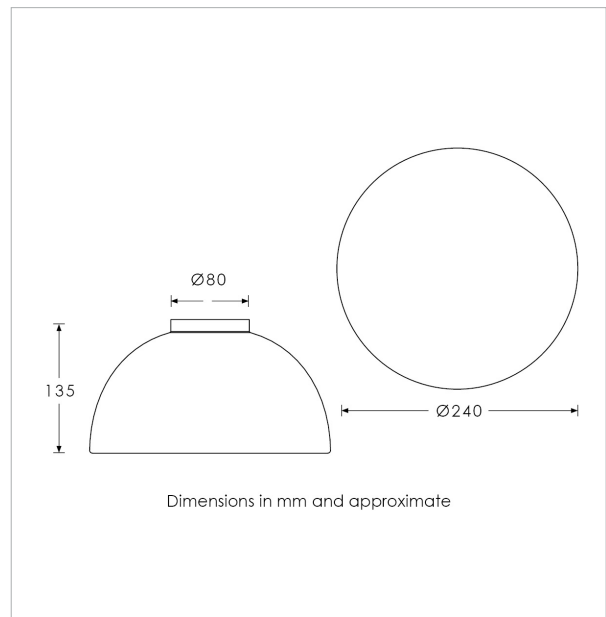
CLEANING INSTRUCTIONS

The finishes on this luminaire only require regular cleaning with a soft dry duster. Abrasive or chemical cleaners may harm the finish and should not be used.

FIXING NOTE

It is the buyer's responsibility to ensure that suitable fixings are used.

*Please refer to our Terms & Conditions for further information.



H&CO

LIGHT BEYOND DESIGN