

# Heathfield&Co

## Product Specification Sheet

CEILING LIGHT | DAHLIA



### PRODUCT INFORMATION

Base Code: PD-DAHL-BRNZ-BLAN

Material: Glass & Metal

Metalwork: Bronze

Finish shown: Blanc

### TECHNICAL INFORMATION

Weight: 6.8kg / 15lbs

Switching & Plug: Hardwired

Lamping: 3x G9 lampholder / 3x G9 US lampholder  
25W max. LED lamps recommended.

Lamps not included

TOTAL HEIGHT: 240 mm / 9<sup>1</sup>/<sub>2</sub>"

TOTAL WIDTH: 720 mm / 28<sup>1</sup>/<sub>4</sub>"

UKCA / CE / WIRED USING US COMPONENTS

### WARRANTY

10 years\*

### FINISHING NOTE

Our carefully selected glass and metalwork components are all hand finished by skilled artisans and as such no two products are exactly the same - something that adds to the unique charm of this product.

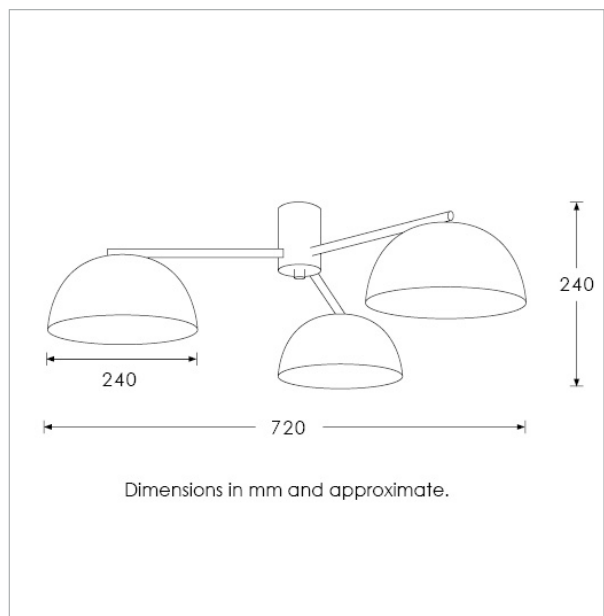
### CLEANING INSTRUCTIONS

The finishes on this luminaire only require regular cleaning with a soft dry duster. Abrasive or chemical cleaners may harm the finish and should not be used.

### FIXING NOTE

It is the buyer's responsibility to ensure that suitable fixings are used.

\*Please refer to our Terms & Conditions for further information.



H&  
CO

LIGHT BEYOND DESIGN