

# Heathfield&Co

## Product Specification Sheet

CEILING LIGHT | ORLA 2 LIGHT VERTICAL SATIN BRASS



### PRODUCT INFORMATION

Base Code: PD-ORLA-SBRS-SPEC-0V2

Material: Brass & Glass

Finish shown: Speckle

### TECHNICAL INFORMATION

Weight: 2.7kg / 6lbs

Switching & Plug: Hardwired

Lamping: 2x G9 lampholder

25W max. LED lamps recommended.

Lamps not included

TOTAL HEIGHT: 795 mm / 31<sup>1</sup>/<sub>4</sub>"

TOTAL WIDTH: 260 mm / 10<sup>1</sup>/<sub>4</sub>"

UKCA / CE / WIRED USING US COMPONENTS

### WARRANTY

10 years\*

### FINISHING NOTE

Our carefully selected glass and metalwork components are all hand finished by skilled artisans and as such no two products are exactly the same - something that adds to the unique charm of this product.

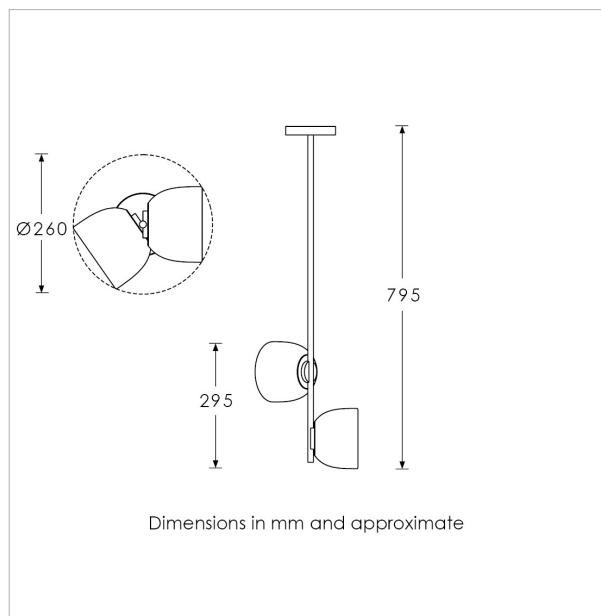
### CLEANING INSTRUCTIONS

The finishes on this luminaire only require regular cleaning with a soft dry duster. Abrasive or chemical cleaners may harm the finish and should not be used.

### FIXING NOTE

It is the buyer's responsibility to ensure that suitable fixings are used.

\*Please refer to our Terms & Conditions for further information.



H&  
CO

LIGHT BEYOND DESIGN

# Heathfield&Co

## Product Specification Sheet

CEILING LIGHT | ORLA 2 LIGHT VERTICAL BRONZE



### PRODUCT INFORMATION

Base Code: PD-ORLA-BRNZ-SPEC-0V2

Material: Bronze & Glass

Finish shown: Speckle

### TECHNICAL INFORMATION

Weight: 2.7kg / 6lbs

Switching & Plug: Hardwired

Lamping: 2x G9 lampholder

25W max. LED lamps recommended.

Lamps not included

TOTAL HEIGHT: 795 mm / 31<sup>1</sup>/<sub>4</sub>"

TOTAL WIDTH: 260 mm / 10<sup>1</sup>/<sub>4</sub>"

UKCA / CE / WIRED USING US COMPONENTS

### WARRANTY

10 years\*

### FINISHING NOTE

Our carefully selected glass and metalwork components are all hand finished by skilled artisans and as such no two products are exactly the same - something that adds to the unique charm of this product.

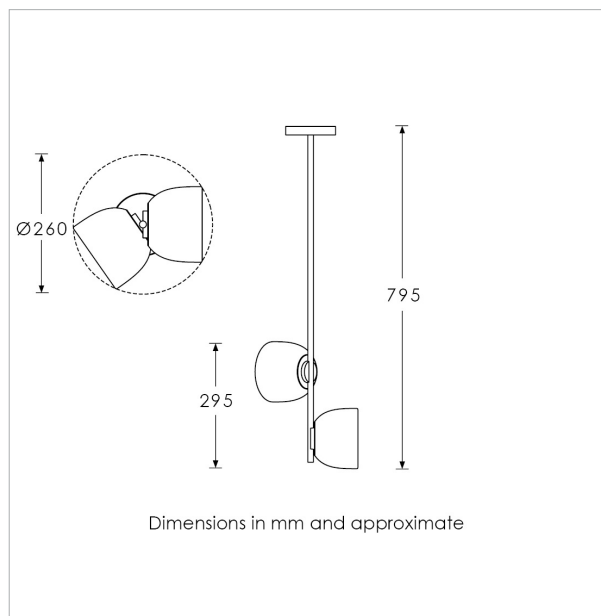
### CLEANING INSTRUCTIONS

The finishes on this luminaire only require regular cleaning with a soft dry duster. Abrasive or chemical cleaners may harm the finish and should not be used.

### FIXING NOTE

It is the buyer's responsibility to ensure that suitable fixings are used.

\*Please refer to our Terms & Conditions for further information.



H&  
CO

LIGHT BEYOND DESIGN

# Heathfield&Co

## Product Specification Sheet

CEILING LIGHT | ORLA 3 LIGHT VERTICAL SATIN BRASS



### PRODUCT INFORMATION

Base Code: PD-ORLA-SBRS-SPEC-0V3

Material: Brass & Glass

Finish shown: Speckle

### TECHNICAL INFORMATION

Weight: 4kg / 8.8lbs

Switching & Plug: Hardwired

Lamping: 3x G9 lampholder

25W max. LED lamps recommended.

Lamps not included

TOTAL HEIGHT: 1095 mm / 43"

TOTAL WIDTH: 260 mm / 10<sup>1</sup>/<sub>4</sub>"

UKCA / CE / WIRED USING US COMPONENTS

### WARRANTY

10 years\*

### FINISHING NOTE

Our carefully selected glass and metalwork components are all hand finished by skilled artisans and as such no two products are exactly the same - something that adds to the unique charm of this product.

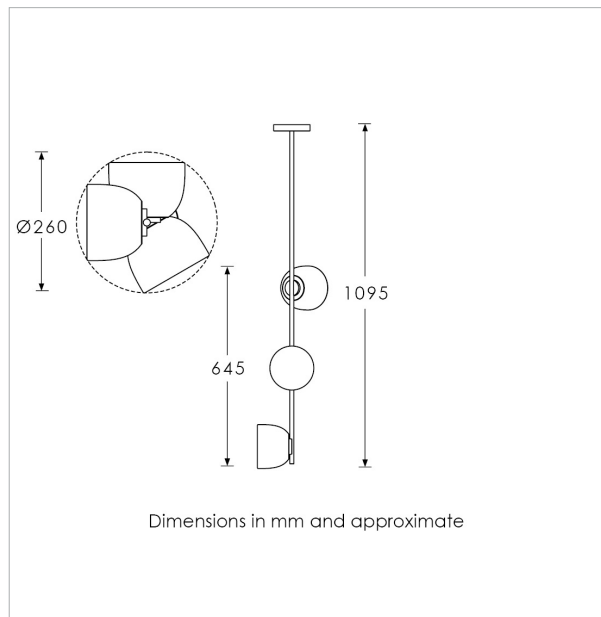
### CLEANING INSTRUCTIONS

The finishes on this luminaire only require regular cleaning with a soft dry duster. Abrasive or chemical cleaners may harm the finish and should not be used.

### FIXING NOTE

It is the buyer's responsibility to ensure that suitable fixings are used.

\*Please refer to our Terms & Conditions for further information.



H&CO

LIGHT BEYOND DESIGN

# Heathfield&Co

## Product Specification Sheet

CEILING LIGHT | ORLA 3 LIGHT VERTICAL BRONZE



### PRODUCT INFORMATION

Base Code: PD-ORLA-BRNZ-SPEC-0V3

Material: Bronze & Glass

Finish shown: Speckle

### TECHNICAL INFORMATION

Weight: 4kg / 8.8lbs

Switching & Plug: Hardwired

Lamping: 3x G9 lampholder

25W max. LED lamps recommended.

Lamps not included

TOTAL HEIGHT: 1095 mm / 43"

TOTAL WIDTH: 260 mm / 10<sup>1</sup>/<sub>4</sub>"

UKCA / CE / WIRED USING US COMPONENTS

### WARRANTY

10 years\*

### FINISHING NOTE

Our carefully selected glass and metalwork components are all hand finished by skilled artisans and as such no two products are exactly the same - something that adds to the unique charm of this product.

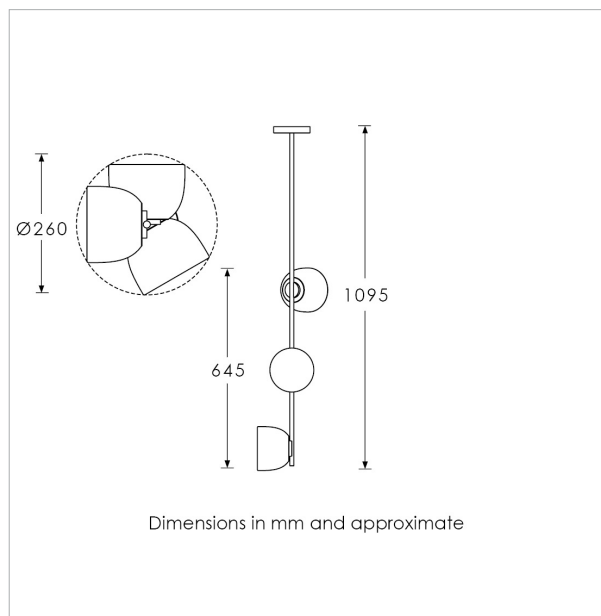
### CLEANING INSTRUCTIONS

The finishes on this luminaire only require regular cleaning with a soft dry duster. Abrasive or chemical cleaners may harm the finish and should not be used.

### FIXING NOTE

It is the buyer's responsibility to ensure that suitable fixings are used.

\*Please refer to our Terms & Conditions for further information.



H&  
CO

LIGHT BEYOND DESIGN