

Heathfield&Co

Product Specification Sheet

CEILING LIGHT | MEDINA SMOKE ANTIQUE BRASS



PRODUCT INFORMATION

Base Code: PD-MED3-ABRS-SMOK

Material: Glass

Finish shown: Smoke

Flex: UK & EU 1.5 metres of Clear PVC flex /

US Clear PVC flex

Tassel: Gold

TECHNICAL INFORMATION

Weight: 1.6kg / 3.5lbs

Switching & Plug: Hardwired

Lamping: 1x E27 lampholder / 1x E26 US lampholder

40W max. LED lamps recommended.

Lamps not included

TOTAL HEIGHT: 2400 mm / 94"

TOTAL WIDTH: 200 mm / 8"

UKCA / CE / UL COMPLIANT

WARRANTY

10 years*

FINISHING NOTE

All our glasswork is hand blown and will vary from piece to piece - variations in form and proportion. Colour formation, pattern and finishing details are unique to each lamp and it is part of the charm that no two products are exactly the same.

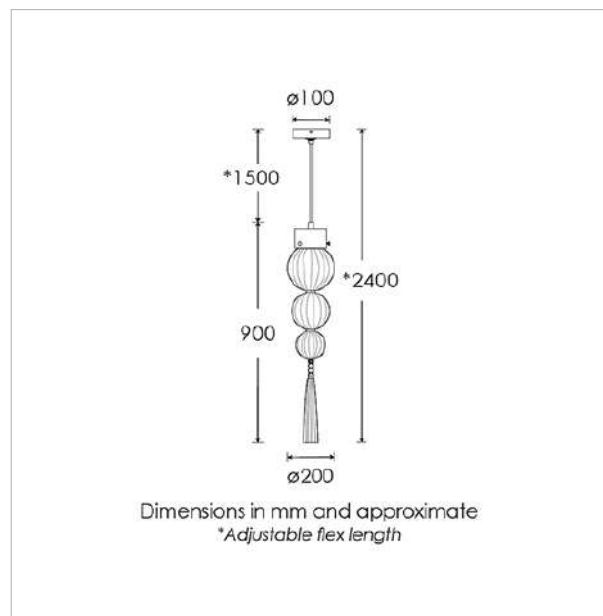
CLEANING INSTRUCTIONS

The finishes on this luminaire only require regular cleaning with a soft dry duster. Abrasive or chemical cleaners may harm the finish and should not be used.

FIXING NOTE

It is the buyer's responsibility to ensure that suitable fixings are used.

*Please refer to our Terms & Conditions for further information.



H&
CO

LIGHT BEYOND DESIGN

Heathfield&Co

Product Specification Sheet

CEILING LIGHT | MEDINA SMOKE POLISHED NICKEL



PRODUCT INFORMATION

Base Code: PD-MED3-PLNL-SMOK

Material: Glass

Finish shown: Smoke

Flex: UK & EU 1.5 metres of Clear PVC flex /

US Clear PVC flex

Tassel: Gold

TECHNICAL INFORMATION

Weight: 1.6kg / 3.5lbs

Switching & Plug: Hardwired

Lamping: 1x E27 lampholder / 1x E26 US lampholder

40W max. LED lamps recommended.

Lamps not included

TOTAL HEIGHT: 2400 mm / 94"

TOTAL WIDTH: 200 mm / 8"

UKCA / CE / UL COMPLIANT

WARRANTY

10 years*

FINISHING NOTE

All our glasswork is hand blown and will vary from piece to piece - variations in form and proportion. Colour formation, pattern and finishing details are unique to each lamp and it is part of the charm that no two products are exactly the same.

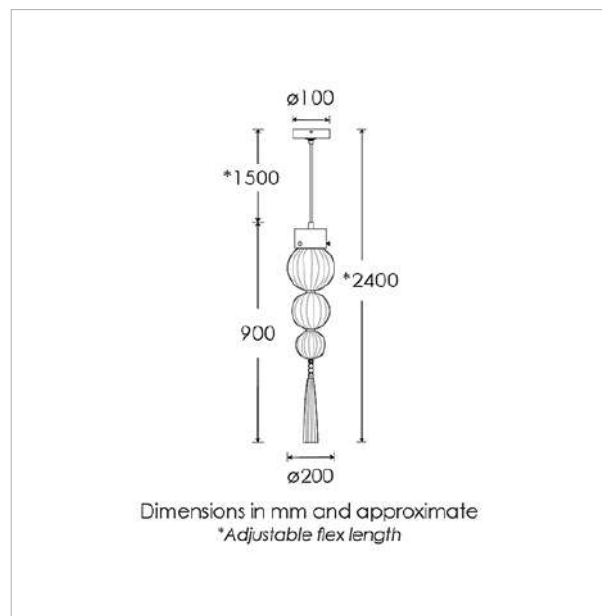
CLEANING INSTRUCTIONS

The finishes on this luminaire only require regular cleaning with a soft dry duster. Abrasive or chemical cleaners may harm the finish and should not be used.

FIXING NOTE

It is the buyer's responsibility to ensure that suitable fixings are used.

*Please refer to our Terms & Conditions for further information.



H&
CO

LIGHT BEYOND DESIGN

Heathfield&Co

Product Specification Sheet

CEILING LIGHT | MEDINA OPAL JADE ANTIQUE BRASS



PRODUCT INFORMATION

Base Code: PD-MED3-ABRS-OPJD

Material: Glass

Finish shown: Opal Jade

Flex: UK & EU 1.5 metres of Clear PVC flex /
US Clear PVC flex

Tassel: Opal Jade

TECHNICAL INFORMATION

Weight: 1.6kg / 3.5lbs

Switching & Plug: Hardwired

Lamping: 1x E27 lampholder / 1x E26 US lampholder
40W max. LED lamps recommended.

Lamps not included

TOTAL HEIGHT: 2400 mm / 94"

TOTAL WIDTH: 200 mm / 8"

UKCA / CE / UL COMPLIANT

WARRANTY

10 years*

FINISHING NOTE

All our glasswork is hand blown and will vary from piece to piece - variations in form and proportion. Colour formation, pattern and finishing details are unique to each lamp and it is part of the charm that no two products are exactly the same.

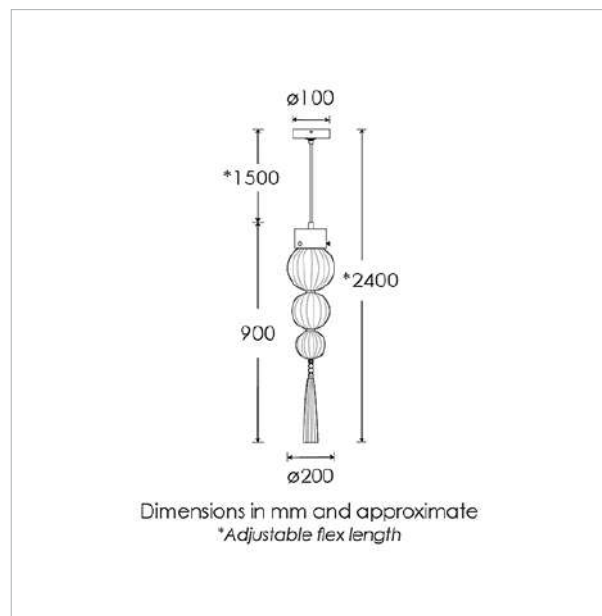
CLEANING INSTRUCTIONS

The finishes on this luminaire only require regular cleaning with a soft dry duster. Abrasive or chemical cleaners may harm the finish and should not be used.

FIXING NOTE

It is the buyer's responsibility to ensure that suitable fixings are used.

*Please refer to our Terms & Conditions for further information.



H&
CO

LIGHT BEYOND DESIGN

Heathfield&Co

Product Specification Sheet

CEILING LIGHT | MEDINA OPAL JADE POLISHED NICKEL



PRODUCT INFORMATION

Base Code: PD-MED3-PLNL-OPJD

Material: Glass

Finish shown: Opal Jade

Flex: UK & EU 1.5 metres of Clear PVC flex /

US Clear PVC flex

Tassel: Opal Jade

TECHNICAL INFORMATION

Weight: 1.6kg / 3.5lbs

Switching & Plug: Hardwired

Lamping: 1x E27 lampholder / 1x E26 US lampholder

40W max. LED lamps recommended.

Lamps not included

TOTAL HEIGHT: 2400 mm / 94"

TOTAL WIDTH: 200 mm / 8"

UKCA / CE / UL COMPLIANT

WARRANTY

10 years*

FINISHING NOTE

All our glasswork is hand blown and will vary from piece to piece - variations in form and proportion. Colour formation, pattern and finishing details are unique to each lamp and it is part of the charm that no two products are exactly the same.

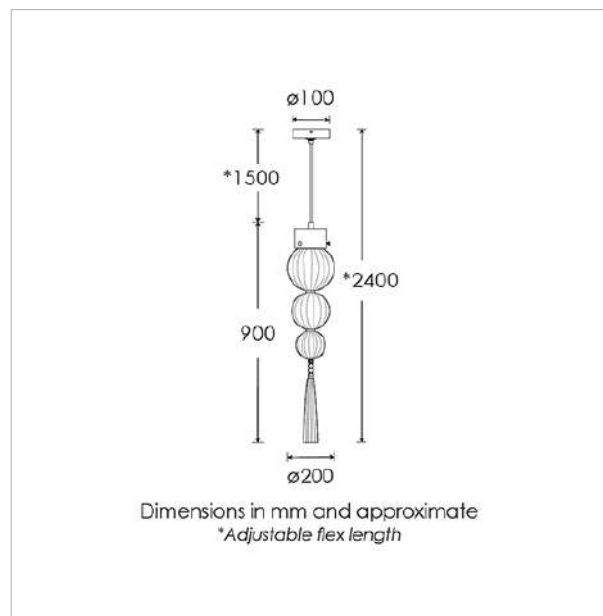
CLEANING INSTRUCTIONS

The finishes on this luminaire only require regular cleaning with a soft dry duster. Abrasive or chemical cleaners may harm the finish and should not be used.

FIXING NOTE

It is the buyer's responsibility to ensure that suitable fixings are used.

*Please refer to our Terms & Conditions for further information.



H&
CO

LIGHT BEYOND DESIGN

Heathfield&Co

Product Specification Sheet

CEILING LIGHT | MEDINA LUSTRE ANTIQUE BRASS



PRODUCT INFORMATION

Base Code: PD-MED3-ABRS-LUST

Material: Glass

Finish shown: Lustre

Flex: UK & EU 1.5 metres of Clear PVC flex /

US Clear PVC flex

Tassel: Purple

TECHNICAL INFORMATION

Weight: 1.6kg / 3.5lbs

Switching & Plug: Hardwired

Lamping: 1x E27 lampholder / 1x E26 US lampholder

40W max. LED lamps recommended.

Lamps not included

TOTAL HEIGHT: 2400 mm / 94"

TOTAL WIDTH: 200 mm / 8"

UKCA / CE / UL COMPLIANT

WARRANTY

10 years*

FINISHING NOTE

All our glasswork is hand blown and will vary from piece to piece - variations in form and proportion. Colour formation, pattern and finishing details are unique to each lamp and it is part of the charm that no two products are exactly the same.

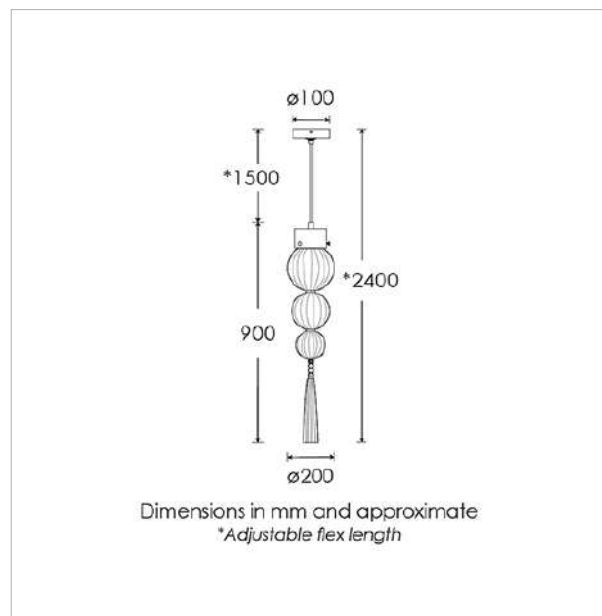
CLEANING INSTRUCTIONS

The finishes on this luminaire only require regular cleaning with a soft dry duster. Abrasive or chemical cleaners may harm the finish and should not be used.

FIXING NOTE

It is the buyer's responsibility to ensure that suitable fixings are used.

*Please refer to our Terms & Conditions for further information.



H&
CO

LIGHT BEYOND DESIGN

Heathfield&Co

Product Specification Sheet

CEILING LIGHT | MEDINA LUSTRE POLISHED NICKEL



PRODUCT INFORMATION

Base Code: PD-MED3-PLNL-LUST

Material: Glass

Finish shown: Lustre

Flex: UK & EU 1.5 metres of Clear PVC flex /

US Clear PVC flex

Tassel: Purple

TECHNICAL INFORMATION

Weight: 1.6kg / 3.5lbs

Switching & Plug: Hardwired

Lamping: 1x E27 lampholder / 1x E26 US lampholder

40W max. LED lamps recommended.

Lamps not included

TOTAL HEIGHT: 2400 mm / 94"

TOTAL WIDTH: 200 mm / 8"

UKCA / CE / UL COMPLIANT

WARRANTY

10 years*

FINISHING NOTE

All our glasswork is hand blown and will vary from piece to piece - variations in form and proportion. Colour formation, pattern and finishing details are unique to each lamp and it is part of the charm that no two products are exactly the same.

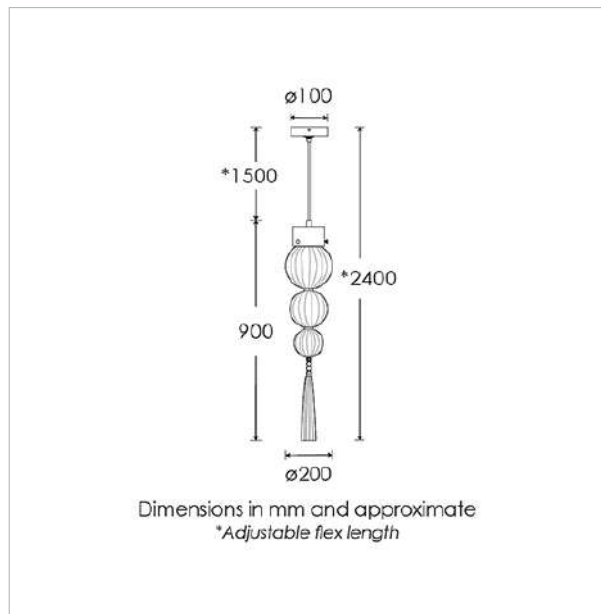
CLEANING INSTRUCTIONS

The finishes on this luminaire only require regular cleaning with a soft dry duster. Abrasive or chemical cleaners may harm the finish and should not be used.

FIXING NOTE

It is the buyer's responsibility to ensure that suitable fixings are used.

*Please refer to our Terms & Conditions for further information.



H&
CO

LIGHT BEYOND DESIGN