

LASVIT Technical Sheet

FLUX COLLECTION

DESIGNER: ED Ng & Terence Ngan

YEAR OF DESIGN: 2017

Glass: Hand blown glass

Each lamp is hand-blown using a metal mold to provide its unique appearance. The clear top meets with inner and outer hand-painted gold and platinum layers, referencing the decoration of traditional Asian ceramics. Its organic lines trap and refract light between the layers to create a deep radiance and the impression of water in motion.



PACKAGING

Flux floor lamp

Size: 550 × 365 × 350 mm
Size: 200 × 200 × 800 mm
Pallet: 8×
Total weight: 15 kg

Flux wall sconce

Table lamp
Size: 550 × 365 × 350 mm
Pallet: 8 ×
Total weight: 15 kg

LASVIT Technical Sheet

FLUX COLLECTION

TECHNICAL DETAILS FLUX TABLE LAMP

Type	CE/UL
Light source	LED module 16W 2700K
	dimmable
Input voltage	24VDC
Rated power	16W
Prot. rating	IP 20
Safety class	CLASS II
Primary material	aluminium alloy – anodized – transparent
Cabel lenght	2000mm/78¾"
Cord color	black textile cabel

LASVIT Technical Sheet

FLUX COLLECTION

TECHNICAL DETAILS FLUX FLOOR LAMP

Type	CE/UL
Light source	LED module 16W 2700K
	dimnable
Input voltage	24VDC
Prot. rating	IP 20
Safety class	CLASS II
Rated power	16W
Primary material	aluminium alloy – anodized – transparent
Cabel lenght	4000mm/157½"
Cord color	black textile cable

LASVIT Technical Sheet

FLUX COLLECTION

TECHNICAL DETAILS FLUX WALLSCONCE

Type	CE	UL
Light source	1 × LED E27, 6W 2600K	1 × LED E26, 6W 2700K
	Dimmable	Dimmable
Input voltage	220-240V, 50/60Hz	120V, 50/60Hz
Rated power	6W	6W
Prot. rating	IP 20	
Safety class	CLASS I	
Primary material	polished stainless steel	

LASVIT Technical Sheet

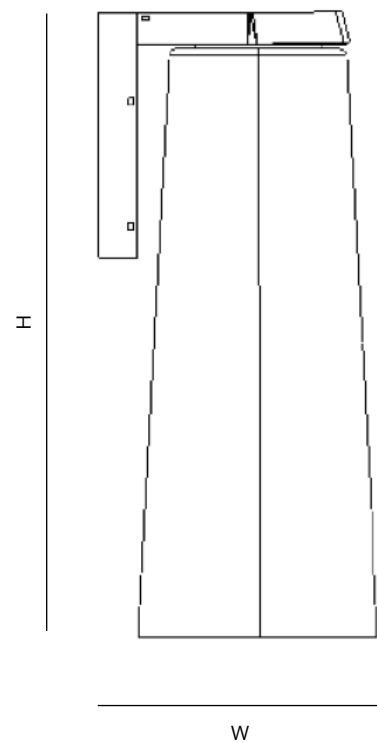
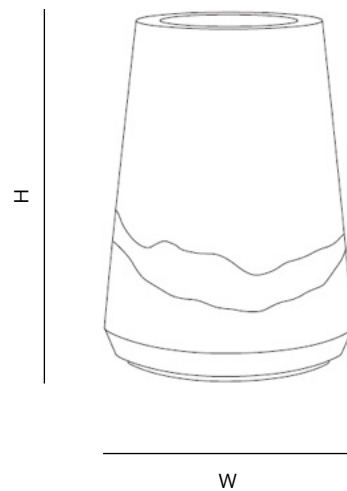
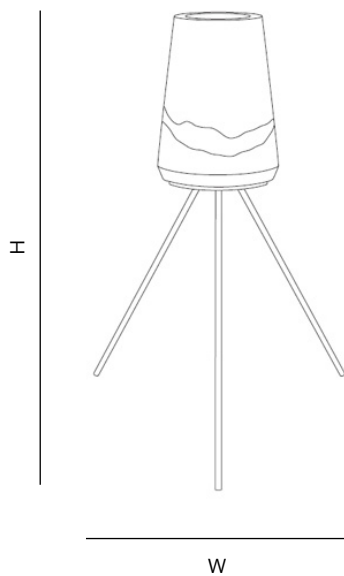
FLUX COLLECTION

TECHNICAL DRAWING

Flux table lamp

Flux floor lamp

Flux wall sconce



Name	H (mm/inch)	W (mm/inch)
Flux table lamp	380/14 ¹³ / ₁₆ "	265/5 ³ / ₈ "
Flux floor lamp	985/38 ³ / ₄ "	645/25 ⁷ / ₁₆ "
Flux wall sconce	350/13 ³ / ₄ "	W 265/10 ⁷ / ₁₆ " × L 160/6 ⁵ / ₁₆ "

LASVIT Technical Sheet

Name	Glass color	Item ID – CE	Item ID – UL	Weight (approx.)
Flux table lamp	clear/gold	CLo34TA-4CEoo-0126S1	CLo34TA-4ULoo-0126S1	10kg/22lbs
Flux floor lamp	clear/gold	CLo34FA-4CEoo-0126S1	CLo34FA-4ULoo-0126S1	12kg/26,4lbs
Flux wall sconce	clear/gold	CLo34WA-1CEoo-0101S1	CLo34WA-1ULoo-0101S1	12kg/26,4lbs

EACH LASVIT COLLECTION IS UNIQUE BECAUSE IT IS COMPLETELY HANDCRAFTED. TINY BUBBLES AND OTHER IRREGULARITIES MAY OCCUR DUE TO THE NATURE OF THE HIGH QUALITY GLASS-BLOWING TECHNIQUE