

TULIP SUSPENSION 14 ROUND

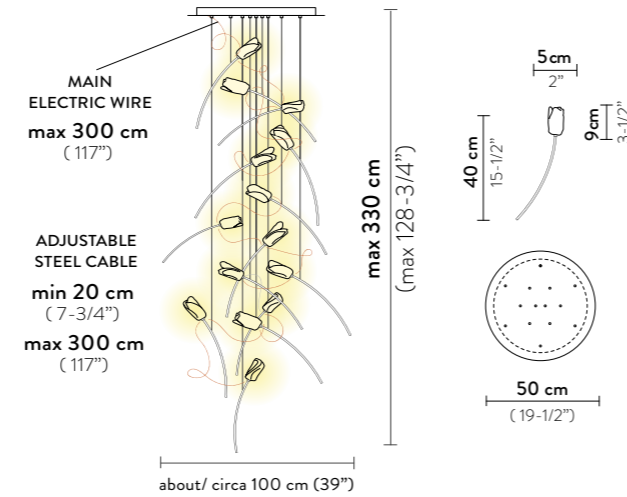
Light Source: 14 X 3,2W Integrated LED 110~220 Vac/24 Vdc - 6.300 Lumen - 3.000 Kelvin

Dimmable: PWM, 0-10

Materials: Lentiflex®, Matte Brushed Brass

Weight: net 6 Kg - gross 8,4 Kg

Packaging: 62 x 59 x h. 7,5 cm
80 x 40 x h. 7,5 cm
80 x 40 x h. 7,5 cm



TULIP SUSPENSION 7 ROUND

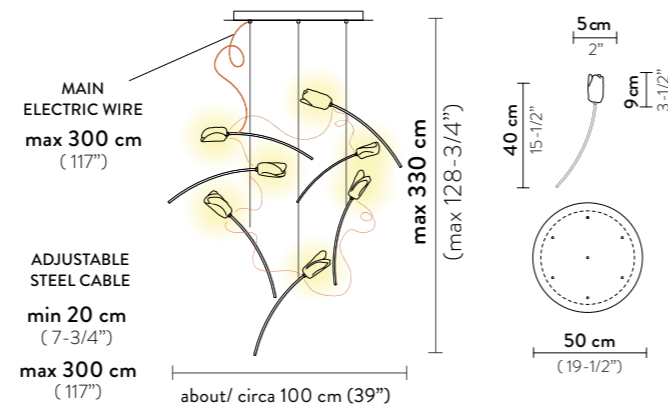
Light Source: 7 X 3,2W Integrated LED 110~220 Vac/24 Vdc - 3.150 Lumen - 3.000 Kelvin

Dimmable: PWM, 0-10

Materials: Lentiflex®, Matte Brushed Brass

Weight: net 4,8 Kg - gross 6,4 Kg

Packaging: 62 x 60 x h. 7,5 cm
80 x 40 x h. 7,5 cm



TULIP SUSPENSION 14 LINEAR

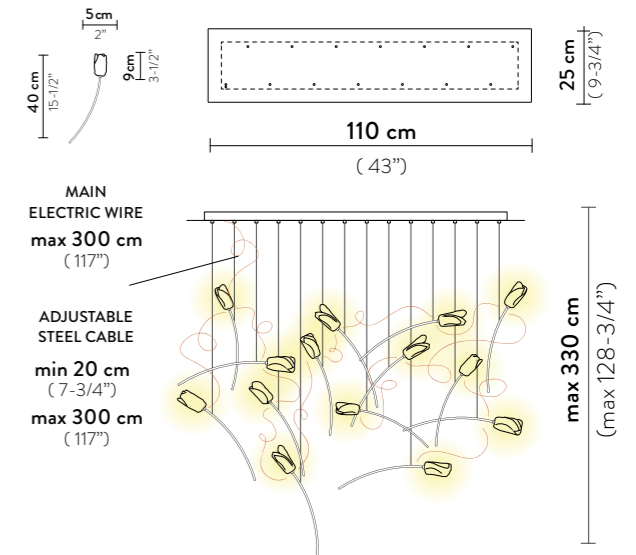
Light Source: 14 X 3,2W Integrated LED 110~220 Vac/24 Vdc - 6.300 Lumen - 3.000 Kelvin

Dimmable: PWM, 0-10

Materials: Lentiflex®, Matte Brushed Brass

Weight: net 8,55 Kg - gross 11,15 Kg

Packaging: 122 x 34 x h. 7,5 cm
80 x 40 x h. 7,5 cm
80 x 40 x h. 7,5 cm



TULIP SUSPENSION 7 LINEAR

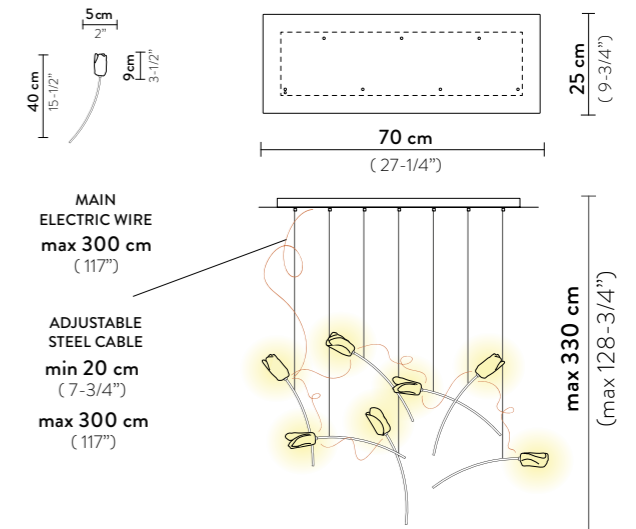
Light Source: 7 X 3,2W Integrated LED 110~220 Vac/24 Vdc - 3.150 Lumen - 3.000 Kelvin

Dimmable: PWM, 0-10

Materials: Lentiflex®, Matte Brushed Brass

Weight: net 5,35 Kg - gross 6,75 Kg

Packaging: 80 x 41 x h. 7,5 cm
80 x 40 x h. 7,5 cm

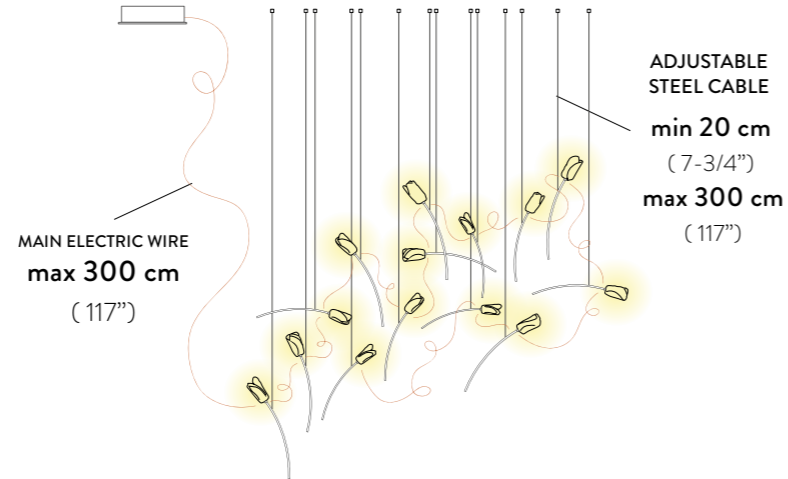


FINISH	SIZE	PRODUCT CODE	PRICE VAT EXCLUDED	CANOPY DETAILS	
 <p>PRISMA/BRASS</p>	14 ROUND	TULSL00PRS03CLDRNCEU	€ 2.500,00	 <p>Ø 50 x h. 4,5 cm</p> <p>Max distance from one tulip to another (electric copper cable) of 80 cm (31")</p>	
	7 ROUND	TULSM00PRS03CLDRNCEU	€ 1.700,00		
	ACCESSORIES				
	6M CABLE KIT (must be ordered with lamp)				€ 50,00
	DALI ACC00DAL0UNI000B0				€ 85,00
TRIAC ACC00TRI0220000V0			€ 65,00		
CASAMBI ACC00CAI0220000A0			€ 185,00		

FINISH	SIZE	PRODUCT CODE	PRICE VAT EXCLUDED	CANOPY DETAILS	
 <p>PRISMA/BRASS</p>	14 LINEAR	TULSL00PRS03CLDLNCEU	€ 2.500,00	 <p>14 LINEAR: Ø 110 - Ø 25 x h. 4,5 cm</p>  <p>7 LINEAR: Ø 70 - Ø 25 x h. 4,5 cm</p> <p>Max distance from one tulip to another (electric copper cable) of 80 cm (31")</p>	
	7 LINEAR	TULSM00PRS03CLDLNCEU	€ 1.700,00		
	ACCESSORIES				
	6M CABLE KIT (must be ordered with lamp)				€ 50,00
	DALI ACC00DAL0UNI000B0				€ 85,00
TRIAC ACC00TRI0220000V0			€ 65,00		
CASAMBI ACC00CAI0220000A0			€ 185,00		

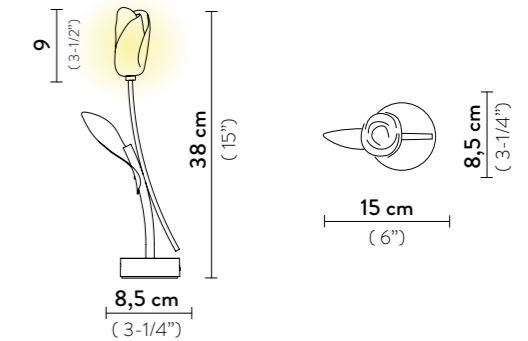
TULIP SUSPENSION 14 FREE-STANDING

Light Source: 14 X 3,2W Integrated LED 110~220 Vac/24 Vdc - 6.300 Lumen - 3.000 Kelvin
Dimmable: PWM, 0-10
Materials: Lentiflex®, Matte Brushed Brass
Weight: net 4 Kg - gross 5,9 Kg
Packaging: 40 x 43 x h. 7,5 cm
 80 x 40 x h. 7,5 cm
 80 x 40 x h. 7,5 cm



TULIP BATTERY

Light Source: 1 X 1,3W Battery LED - 150 Lumen - 3.000 Kelvin
Dimmable: with integrated dimmer
Materials: Lentiflex®, anodized aluminium
With: at max intensity around 6.5 hours duration, at min intensity around 60 hours duration
Weight: net 0,5 Kg - gross 0,8 Kg
Packaging: 19 x 17 x h. 48 cm



FINISH	PRODUCT CODE	PRICE VAT EXCLUDED	CANOPY DETAILS
 PRISMA/BRASS	TULSL00PRS03CLD000EU	€ 2.200,00	Ø 30 x h. 4,5 cm  Max distance from one tulip to another (electric copper cable) of 80 cm (31")
	ACCESSORIES		
	6M CABLE KIT (must be ordered with lamp)	€ 50,00	
	DALI ACC00DAL0UNI000B0	€ 85,00	
	TRIAC ACC00TRI0220000V0	€ 65,00	
CASAMBI ACC00CAI0220000A0	€ 185,00		

FINISH	PRODUCT CODE	PRICE VAT EXCLUDED	DETAILS
 PRISMA/BRASS BLACK PRISMA/BRASS WHITE	TULT000PRS000BDBLBEU BLACK BASE	€ 220,00	 MATTE BLACK MATTE WHITE
	TULT000PRS000BDWHBEU WHITE BASE	€ 220,00	
	ACCESSORIES		
	USB MULTICHARGER 20 PORTS ACC00CHAP020_000	€ 120,00	

TULIP SUSPENSION 14 ROUND

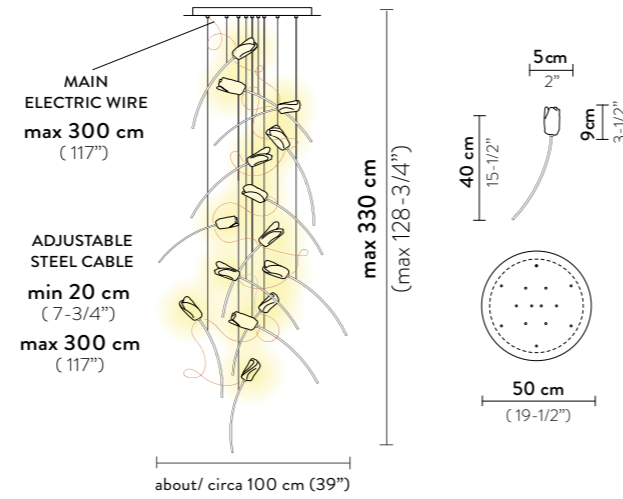
Light Source: 14 X 3,2W Integrated LED 110~220 Vac/24 Vdc - 6.300 Lumen - 3.000 Kelvin

Dimmable: PWM, 0-10

Materials: Lentiflex®, Matte Brushed Brass

Weight: net 13,22 lbs - gross 18,52 lbs

Packaging: 24,41 x 23,23 x h. 2,95 in
31,5 x 15,75 x h. 2,95 in
31,5 x 15,75 x h. 2,95 in



TULIP SUSPENSION 7 ROUND

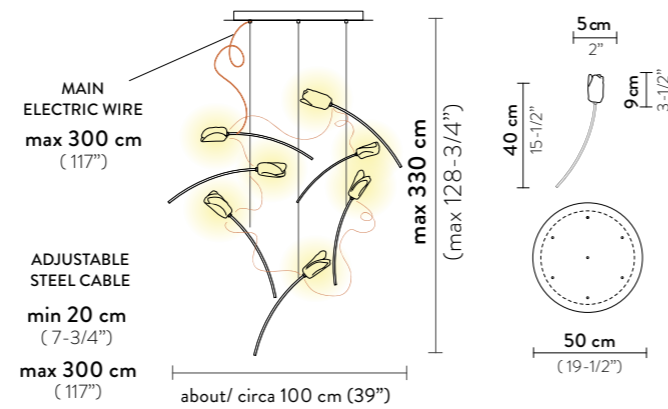
Light Source: 7 X 3,2W Integrated LED 110~220 Vac/24 Vdc - 3.150 Lumen - 3.000 Kelvin

Dimmable: PWM, 0-10

Materials: Lentiflex®, Matte Brushed Brass

Weight: net 10,58 lbs - gross 14,11 lbs

Packaging: 24,41 x 23,62 x h. 2,95 in
31,5 x 15,75 x h. 2,95 in



TULIP SUSPENSION 14 LINEAR

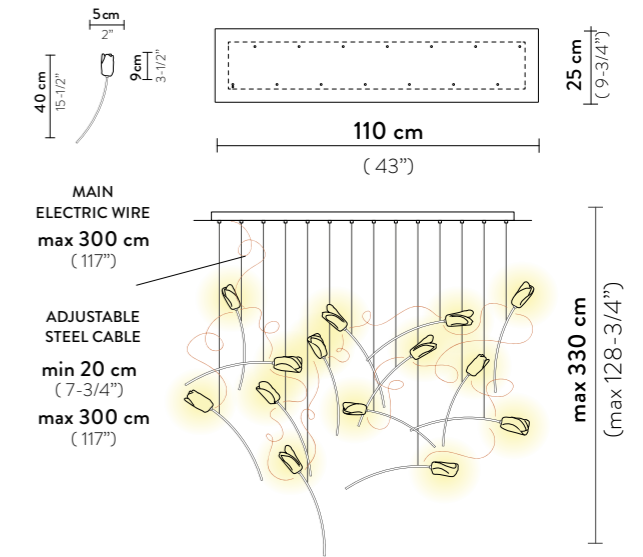
Light Source: 14 X 3,2W Integrated LED 110~220 Vac/24 Vdc - 6.300 Lumen - 3.000 Kelvin

Dimmable: PWM, 0-10

Materials: Lentiflex®, Matte Brushed Brass

Weight: net 18,84 lbs - gross 24,59 lbs

Packaging: 48,03 x 13,39 x h. 2,95 in
31,5 x 15,75 x h. 2,95 in
31,5 x 15,75 x h. 2,95 in



TULIP SUSPENSION 7 LINEAR

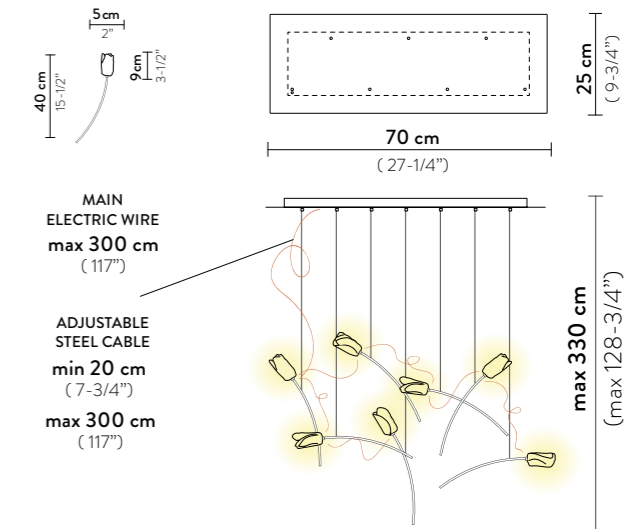
Light Source: 7 X 3,2W Integrated LED 110~220 Vac/24 Vdc - 3.150 Lumen - 3.000 Kelvin



Dimmable: PWM, 0-10




Materials: Lentiflex®, Matte Brushed Brass

Weight: net 11,79 lbs - gross 14,88 lbs

Packaging: 31,5 x 16,14 x h. 2,95 in
31,5 x 15,75 x h. 2,95 in

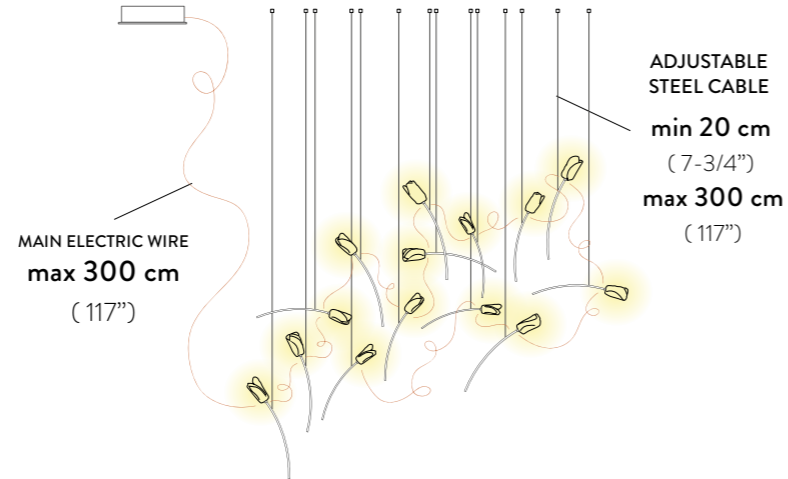


FINISH	SIZE	PRODUCT CODE	EAN CODE	CANOPY DETAILS
 PRISMA/BRASS	14 ROUND	TULSL00PRS03CLDRNCUS	8024727100395	 Ø 19,69 x h. 1,77 in Max distance from one tulip to another (electric copper cable) of 80 cm (31")
	7 ROUND	TULSM00PRS03CLDRN-	8024727100517	
	ACCESSORIES			
	6M CABLE KIT			
	DALI ACC00DAL0UNI000B0			
TRIAC ACC00TRI0110000Z0				
CASAMBI ACC00CAI0220000A0				

FINISH	SIZE	PRODUCT CODE	EAN CODE	CANOPY DETAILS
 PRISMA/BRASS	14 LINEAR	TULSL00PRS03CLDLNCUS	8024727100333	 14 LINEAR: Ø 43,31 - Ø 9,84 x h. 1,77 in  7 LINEAR: Ø 27,56 - Ø 9,84 x h. Max distance from one tulip to another (electric copper cable) of 80 cm (31")
	7 LINEAR	TULSM00PRS03CLDLNCUS	8024727100456	
	ACCESSORIES			
	6M CABLE KIT			
	DALI ACC00DAL0UNI000B0			
TRIAC ACC00TRI0110000Z0				
CASAMBI ACC00CAI0220000A0				

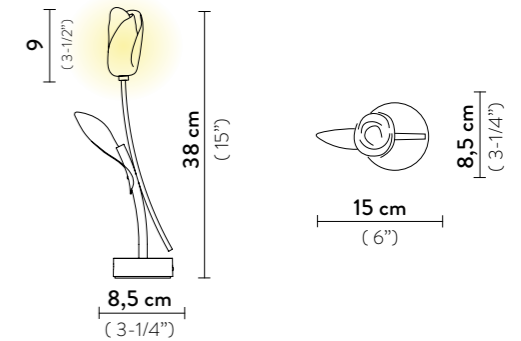
TULIP SUSPENSION 14 FREE-STANDING

Light Source: 14 X 3,2W Integrated LED 110~220 Vac/24 Vdc - 6.300 Lumen - 3.000 Kelvin
Dimmable: PWM, 0-10
Materials: Lentiflex®, Matte Brushed Brass
Weight: net 8,81 lbs - gross 13,01 lbs
Packaging: 15,75 x 16,93 x h. 2,95 in
 31,5 x 15,75 x h. 2,95 in
 31,5 x 15,75 x h. 2,95 in



TULIP BATTERY

Light Source: 1 X 1,3W Battery LED - 150 Lumen - 3.000 Kelvin
Dimmable: with integrated dimmer
Materials: Lentiflex®, anodized aluminium
With: at max intensity around 6.5 hours duration, at min intensity around 60 hours duration
Weight: net 1,1 lbs - gross 1,76 lbs
Packaging: 7,48 x 6,69 x h. 18,9 in



FINISH	PRODUCT CODE	EAN CODE	CANOPY DETAILS
<p>PRISMA/BRASS</p>	TULSL00PRS03CLD000US	8024727100272	<p>Ø 11,81 x h. 1,77 in</p> <p>Max distance from one tulip to another (electric copper cable) of 80 cm (31")</p>
	ACCESSORIES		
	6M CABLE KIT		
	DALI ACC00DAL0UNI000B0		
	TRIAC ACC00TRI0110000Z0		
CASAMBI ACC00CAI0220000A0			

FINISH	PRODUCT CODE	EAN CODE	DETAILS
<p>PRISMA/BRASS BLACK PRISMA/BRASS WHITE</p>	TULT000PRS000BDBLBUS BLACK BASE	8024727098470	<p>MATTE BLACK MATTE WHITE</p>
	TULT000PRS000BDWHBUS WHITE BASE	8024727098494	
	ACCESSORIES		
USB MULTICHARGER 20 PORTS ACC00CHAP020_000			