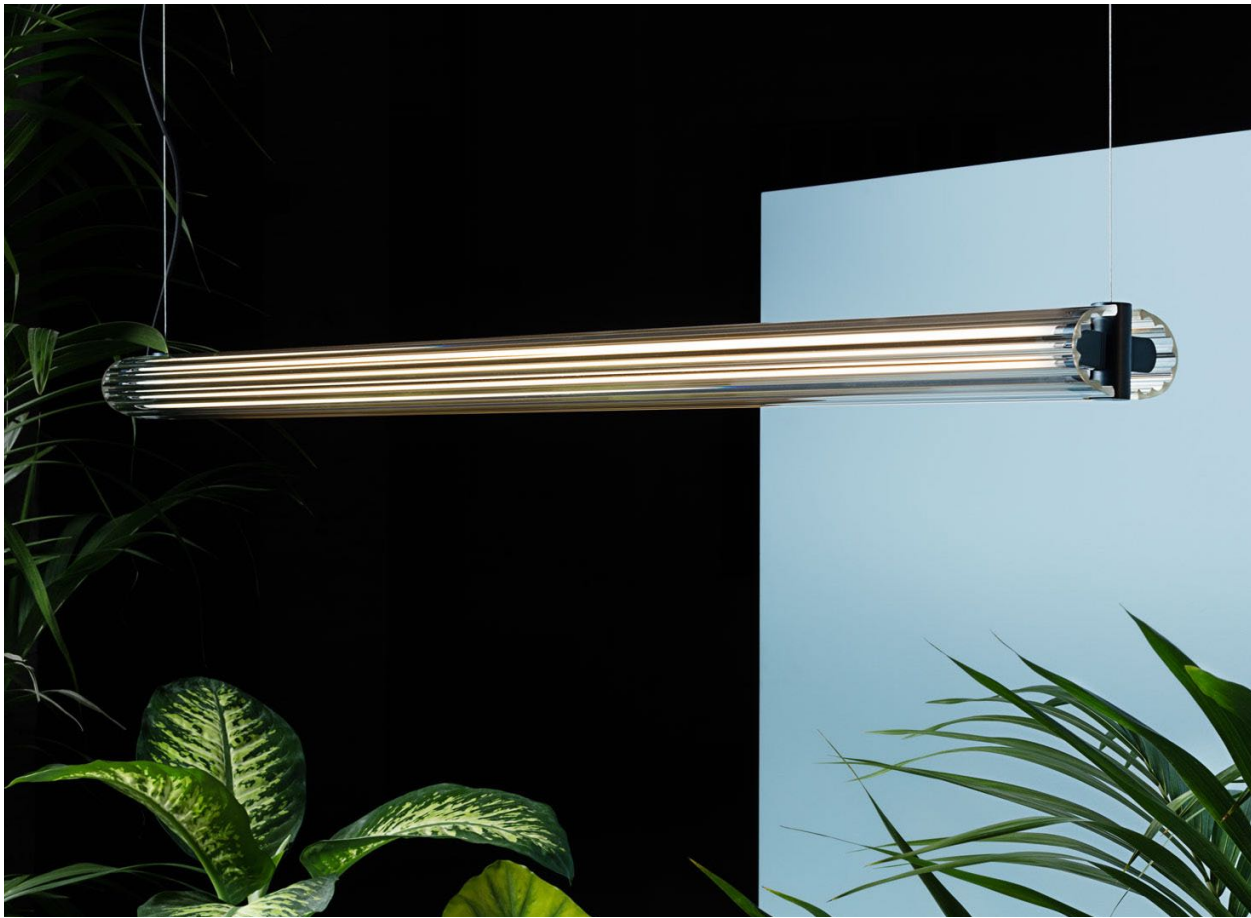


# B15 T H P E

Designed by Jordi Veciana



**PARACHILNA**

hello@parachilna.eu  
www.parachilna.eu  
+34 93 630 7772

# B15 T H P E

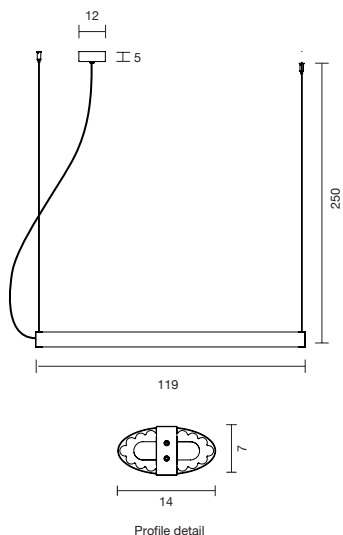
Jordi Veciana, 2014

Suspension lamp. Aluminium structure, dark blue graphite. Extruded transparent glass diffuser.

## Technical Information

<b>Physical</b>	Type	Suspension lamp
	Environment	Indoor
	Material	Aluminium structure Glass diffuser
	Finish	● Dark blue
	Weight	Net 5.5 kg Gross 9.1 kg
	Cable length	250 cm
<b>Electrical</b>	Voltage	230V
	Supply	Terminal strip
	Light source	2 x LEDTUBE T5 AC max. 26W (Not included)
	Advised options	OSRAM LEDTUBE T5 AC HO54 1149 26W 830 4058075630529 OSRAM LEDTUBE T5 AC HE28 1149 16W 830 4058075630581 PHILIPS MASTER LEDTUBE T5 AC HO 1200 26W 830 81921000 PHILIPS MASTER LEDTUBE T5 AC HE 1200 16,5W 830 33431100
	Dimming	Not supported

## Blueprint



## Certifications



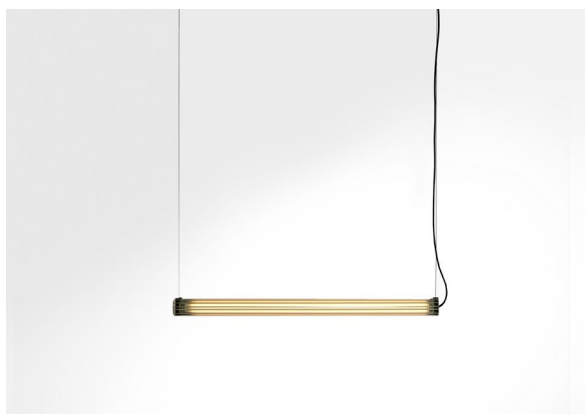

 IP-20

## Codes

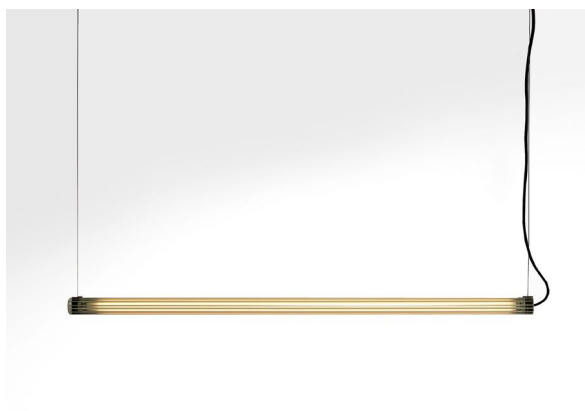
121000740978

DARK BLUE

**Live photo**



**Collection**



B15 T H GR  
Suspension lamp



B15 T V GR  
Suspension lamp



B15 T H PE  
Suspension lamp



B15 T V PE  
Suspension lamp