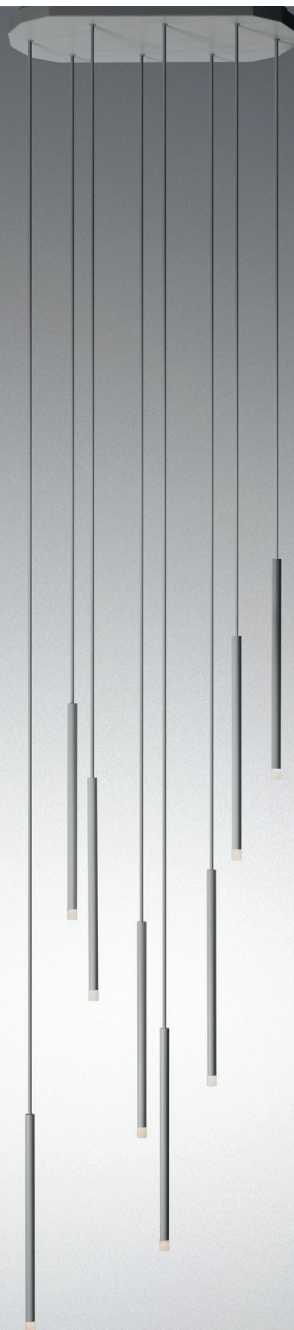


&tradition[®]



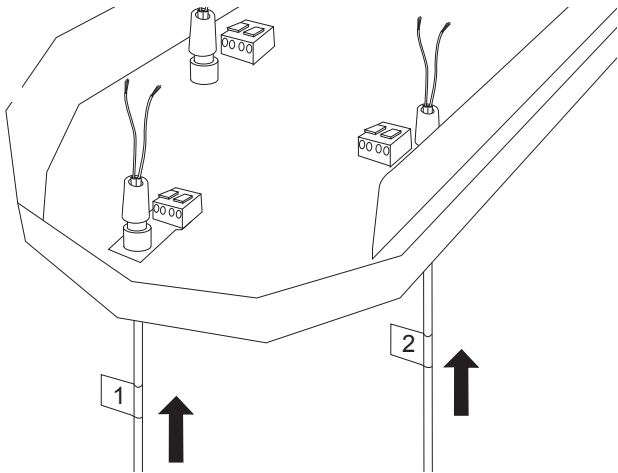
ARRAY JK1

by Sofie Refer, Jakob Staer & Jesper Kongshauge

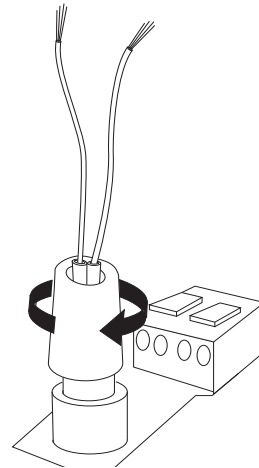
USER INSTRUCTIONS

andtradition.com

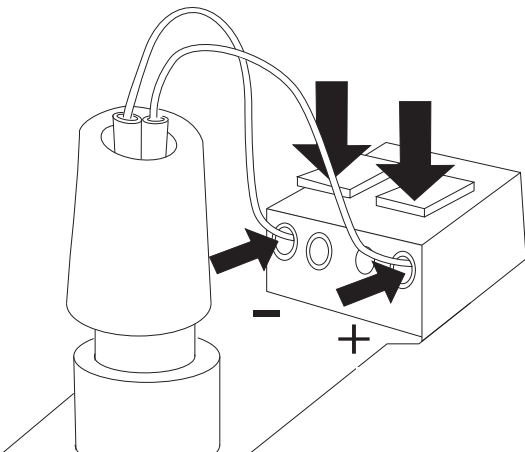
Congratulations on choosing this original Array JK1 designed by Sofie Refer, Jakob Staer & Jesper Kongshauge. We hope you will enjoy using this product and follow these instructions to ensure correct installation. If you have any questions or comments, please do not hesitate to contact us by mail on: info@andtradition.com

1

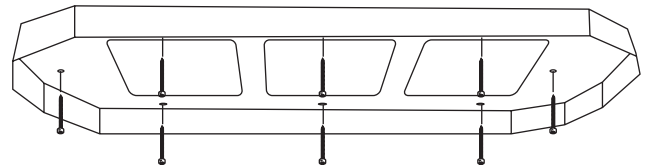
Lead the cables through the holes at the canopy. Each cable is marked with a number from 1 to 8. Arrange the cables by numbers. If desired, adjust the length of the cables by shortening each cable. **NB.** Cut off same length of each cable to keep same formation!

2

Secure the cable by turning the white screw clockwise.

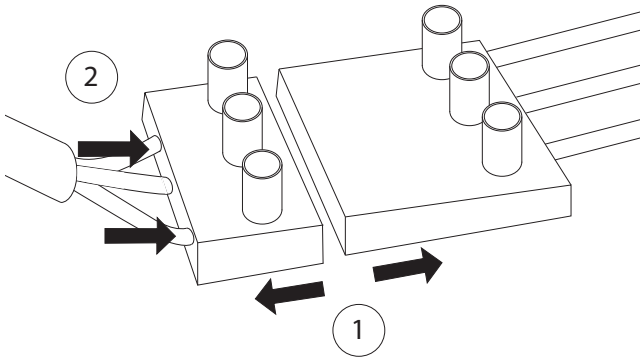
3

Press button and insert the striped cables in the connector holes - see drawing. **NB:** MAKE SURE THAT THE BLUE COLOUR IS INSERTED IN THE (-) AND THE BROWN COLOUR IS INSERTED IN THE (+) !!

4

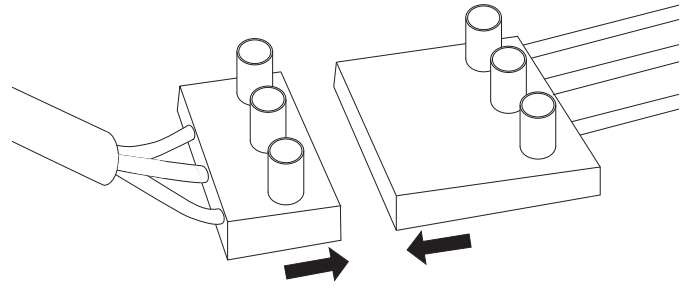
Mount the ceiling base to the ceiling and fix with screws. Use proper screws and plugs for the ceiling type.

5



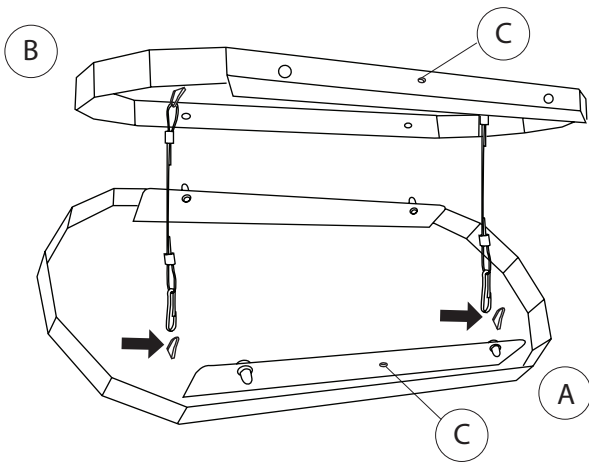
Disconnect the plug (1) and lead the power cable into the empty plug part (2).
If using a 3 conductor cable with a ground wire this should be mounted in the center of the plug.

6



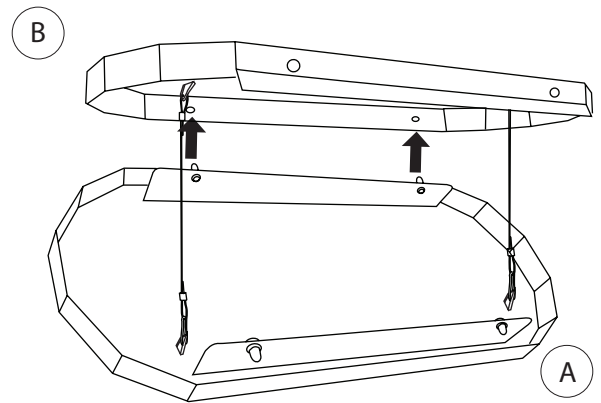
When ready to assemble the canopy parts, click the plugs together.

7



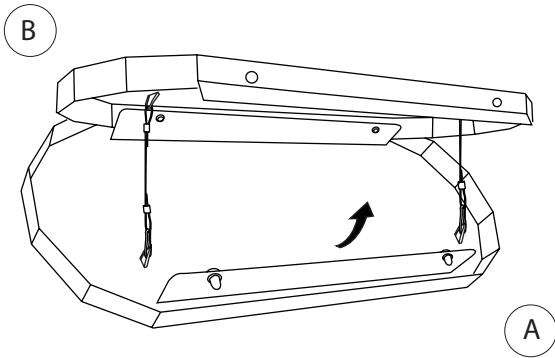
Attach the 2 wire the from celing base (B) to the hooks in celing plate (A)
NB: Make sure that the two parts are placed correct by cheking that fixing screw holes (C) are placed at the same side.

8



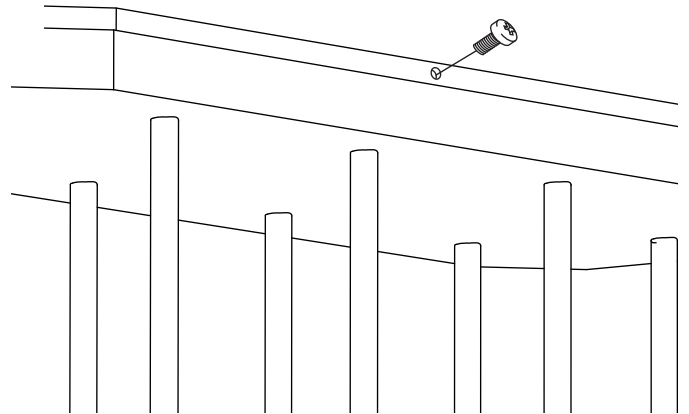
Mount the ceiling base to the ceiling and fix with screws. Use proper screws and plugs for the ceiling type.

9



Lift up the ceiling plate (A) until it is fixed to the ceiling base (B) . A “click” sound will indicate correct mounting.

10



Fix with screw.

NB: MAKE SURE THAT THE SCREW IS FIXED CORRECTLY !

IMPORTANT

If you have any problems regarding the electrical installation, contact a certified electrician. Always shut off power to the circuit before starting installation work.

230VAC / 50HZ – Max 22W

CE IP20 

Made in Denmark

&tradition[®]

KONGEVEJEN 2. DK-3480 FREDENSBORG.

T. +45 39200233 F.+45 39200256

INFO@ANDTRADITION.COM WWW.ANDTRADITION.COM