



# ELIQUE

2017 - Massimo Castagna

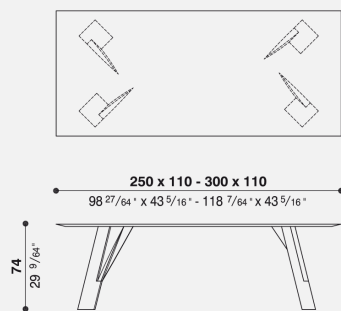
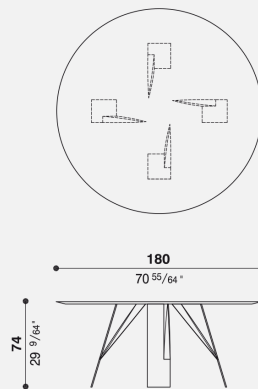
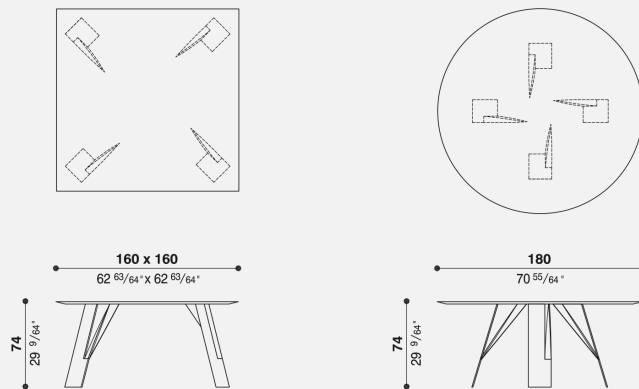
## Description

Tables shaped to challenge the forces of matter, resulting in an actual sculpture item for the living area. You take a metal sheet, cut it and then twist part of it by 90 degrees; the result is a helical-shaped arrow pointing to the surface as if to support it, in a gesture which is not merely formal, elegant and refined, but also has structural relevance. The legs follow each other under the table top, creating points of view which always remain multi-faceted and surprising as the position of the viewer changes. Available in round shape - with a 180 cm diameter or square - measuring 160 cm - and there is also a rectangular version - measuring 250x110 cm or 300x110 cm.

## Finishings

Round and square version: white or graphite grey arabesque marble surfaces, matte or polished finish, or back-painted glass in white, black, warm grey, with a sunken wood surface. Rectangular version: honeycomb veneered wood panels with Eucalyptus, Marsh Oak, grey and black Larch finish. Painted metal legs.

## Technical info



## MAINTENANCE NOTES

### WOODEN PARTS:

gently rub down with a damp cloth (water only). Do not use alcohol or detergents.

### MARBLE PARTS:

polish delicately with a cloth dampened with water and neutral soap. Do not use alcohol or detergents.

### STONE PARTS:

Rub smoothly with a dry cloth. Do not use alcohol or detergents.

### NEUTRAL OR GREY TRANSPARENT GLASS:

gently rub down with a damp cloth using any of the products currently available on the market for cleaning glass.

### VARNISHED PARTS:

gently rub down with a damp cloth (water + neutral soap). Do not use alcohol or detergents.

## USE CAUTIONS

Do not use the product in an improper way. In particular, do not climb or sit on it or rest heavy objects on it or any item for which the product has not been specifically designed.