

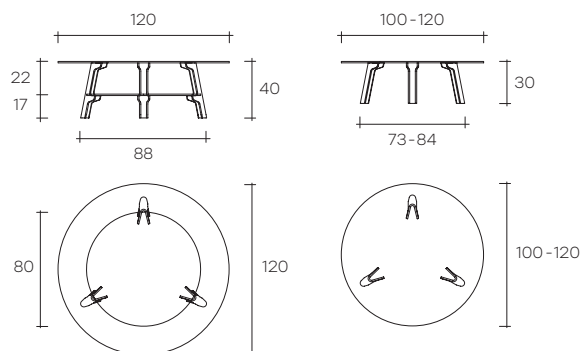


flute

DESIGN
PAOLO LUCIDI
E LUCA PEVERE

modello registrato
registered model

portata sul piano: 20 kg
portata sul ripiano: 10 kg
load capacity on top: 20 kg
load capacity on shelf: 15 kg



Tavolino con gambe in vetro curvato extralight incollate ad un piano superiore in vetro extralight temperato da 10 mm con o senza ripiano inferiore il quale viene proposto nelle seguenti finiture: ripiano in vetro extralight trasparente da 10 mm, ripiano in vetro extralight retro verniciato bianco da 10 mm, ripiano in marmo da 20 mm, ripiano in essenza rovere tabacco 18 mm.

Coffee table with curved extralight glass legs glued to an extralight glass top 10 mm-thick, with or without shelf. The shelf available in the following finishes: 10 mm-thick extralight glass, 10 mm-thick white back-painted extralight glass, or in marble 15 mm-thick, in tobacco oak wood 18 mm-thick.

dimensioni Ø, P, H
dimensions Ø, W, H
(cm)

COD./CODE

Ø

H

peso netto
net weight
(kg)

peso lordo
gross weight
(kg)

volume imballo
package volume
(m³)

Tavolino con piano in vetro extralight e gambe in vetro curvato extralight. Ripiano in vetro extralight trasparente da 10 mm.

Coffee table with curved extralight glass legs glued to an extralight glass top 10 mm-thick. 10 mm-thick transparent glass shelf.

FT/12X

120

40

44

89

1,06

Tavolino con piano in vetro extralight e gambe in vetro curvato extralight. Ripiano in vetro extralight retroverniciato bianco da 10 mm.

Coffee table with curved extralight glass legs glued to an extralight glass top 10 mm-thick. 10 mm-thick extralight white back-painted glass shelf.

FT/12B

120

40

44

89

1,06

Tavolino con piano in vetro extralight e gambe in vetro curvato extralight. Ripiano in essenza rovere tabacco da 18 mm.

Coffee table with curved extralight glass legs glued to an extralight glass top 10 mm-thick. Tobacco oak wood 18 mm-thick shelf.

FT/12R

120

40

40

85

1,06

Tavolino con piano in vetro extralight e gambe in vetro curvato extralight. Ripiano in marmo da 20 mm.

Coffee table with curved extralight glass legs glued to an extralight glass top 10 mm-thick. Marble 15 mm-thick shelf.

FT/12M

120

40

58

103

1,06

Tavolino con piano in vetro extralight e gambe in vetro curvato extralight da 10 mm.

Coffee table with curved extralight glass legs glued to an extralight glass top 10 mm-thick. 10 mm-thick extralight glass shelf.

FT/12

120

30

31

70

0,77

Tavolino con piano in vetro extralight e gambe in vetro curvato extralight da 10 mm.

Coffee table with curved extralight glass legs glued to an extralight glass top 10 mm-thick. 10 mm-thick extralight glass shelf.

FT/10

100

30

23

55

0,55

**FINITURA GAMBE + PIANO**
LEGS + TOP FINISH**SPESSORE**
THICKNESSVetro extralight retrolaccato
Extralight back-lacquered glass

10 mm

Vetro extralight acidato
Extralight acid-etched glass

10 mm

Vetro extralight acidato retrolaccato
Extralight acid-etched back-lacquered glass

10 mm

Vetro fumè
Smoked glass

10 mm

Vetro bronzo
Bronze glass

10 mm