



varesina

DESIGN
MATTEO NUNZIATI

modello registrato
registered model

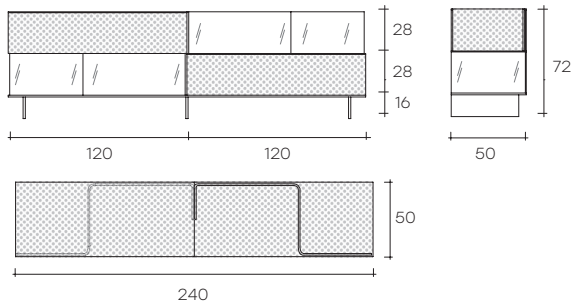


portata su ogni piano: 30 kg
load capacity
on each shelf: 30 kg

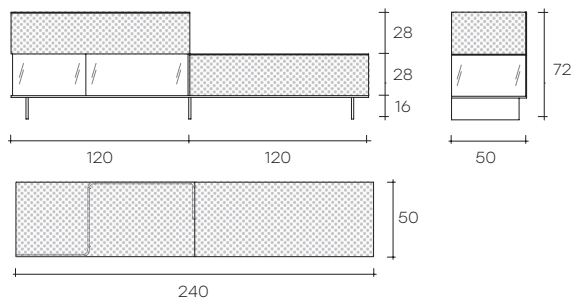
Madia composta da elementi in vetro extralight o fumè curvato da 12 mm associati ad elementi contenitori chiusi, con ante a ribalta, in legno ricoperto da vetro "Skinglass" da 6 mm, smaltato a gran fuoco con finitura effetto tessuto, disponibile in tre varianti cromatiche: avorio, grafite e moka. Base in vetro extralight o fumè da 12 mm, piedini in vetro extralight o fumè da 15 mm.

Cupboard consisting of 12 mm extralight or smoked curved glass elements combined with closed container elements, with turnover doors, in wood covered with 6 mm "Skinglass", enamelled at high temperature with fabric-effect finish, available in three colours: ivory, graphite and moka. Base in 12 mm extralight or smoked glass, feet in 15 mm extralight or smoked glass.

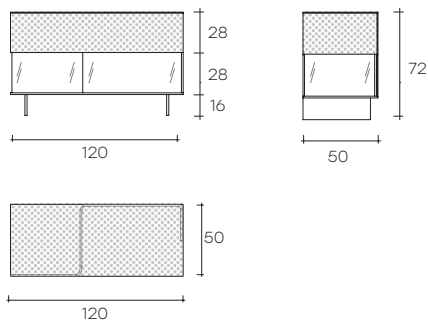
COMP. 240



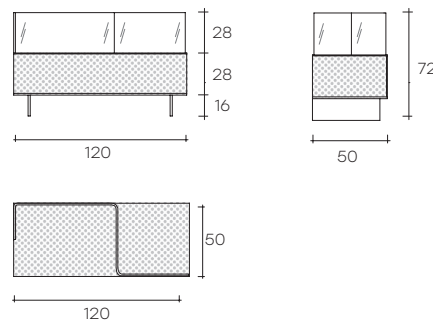
COMP. 240 BASIC



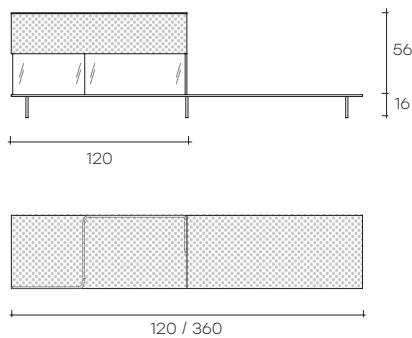
COMP. 120 - A



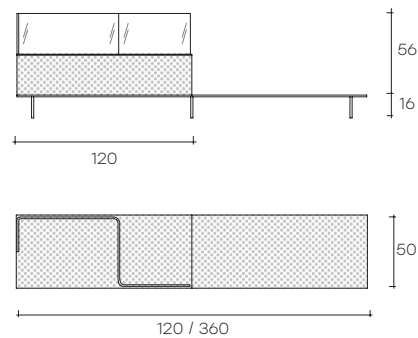
COMP. 120 - B



COMP. 120 - A CUSTOM



COMP. 120 - B CUSTOM





dimensioni L, P, H <i>dimensions L, W, H</i> (cm)	COD./CODE	L	P/W	H	peso netto <i>net weight</i> (kg)	peso lordo <i>gross weight</i> (kg)	volume imballo <i>package volume</i> (m ³)
Comp. 120 - A Finitura avorio e vetro curvato extralight. <i>Ivory finish and curved extralight glass.</i>	VM/AXI	120	50	72	79	146	0,99
Comp. 120 - A Finitura grafite e vetro curvato fumè. <i>Graphite finish and curved smoked glass.</i>	VM/AFG	120	50	72	79	146	0,99
Comp. 120 - A Finitura Moka e vetro curvato extralight. <i>Moka finish and curved extralight glass.</i>	VM/AXM	120	50	72	79	146	0,99
Comp. 120 - B Finitura avorio e vetro curvato extralight. <i>Ivory finish and curved extralight glass.</i>	VM/BXI	120	50	72	79	146	0,99
Comp. 120 - B Finitura grafite e vetro curvato fumè. <i>Graphite finish and curved smoked glass.</i>	VM/BFG	120	50	72	79	146	0,99
Comp. 120 - B Finitura Moka e vetro curvato extralight. <i>Moka finish and curved extralight glass.</i>	VM/BXM	120	50	72	79	146	0,99
Comp. 240 Finitura avorio e vetro curvato extralight. <i>Ivory finish and curved extralight glass.</i>	VM/ CO240XI	240	50	72	153	271	1,96
Comp. 240 Finitura grafite e vetro curvato fumè. <i>Graphite finish and curved smoked glass.</i>	VM/ CO240FG	240	50	72	153	271	1,96
Comp. 240 Finitura Moka e vetro curvato extralight. <i>Moka finish and curved extralight glass.</i>	VM/ CO240XM	240	50	72	153	271	1,96
Comp. 240 BASIC Finitura avorio e vetro curvato extralight. <i>Ivory finish and curved extralight glass.</i>	VM/240XI	240	50	72	137	233	1,59
Comp. 240 BASIC Finitura grafite e vetro curvato fumè. <i>Graphite finish and curved smoked glass.</i>	VM/240FG	240	50	72	137	233	1,59
Comp. 240 BASIC Finitura Moka e vetro curvato extralight. <i>Moka finish and curved extralight glass.</i>	VM/240XM	240	50	72	137	233	1,59



dimensioni L, P, H dimensions L, W, H (cm)	COD./CODE	L	P/W	H	peso netto net weight (kg)	peso lordo gross weight (kg)	volume imballo package volume (m ³)
ELEMENTI _ ELEMENTS							
Elemento in vetro extralight da 10 mm curvato. Posizione Inferiore. <i>Element in 10 mm curved extralight glass. Lower position.</i>	VM/119XD	119	48	28	16	38	0,37
Elemento in vetro fumé da 10 mm curvato. Posizione inferiore. <i>Element in 12 mm curved smoked glass. Lower position.</i>	VM/119FD	119	48	28	16	38	0,37
Elemento in vetro extralight da 10 mm curvato. Posizione superiore. <i>Element in 10 mm curved extralight glass. Upper position.</i>	VM/119XU	119	48	28	16	38	0,37
Elemento in vetro fumé da 10 mm curvato. Posizione superiore. <i>Element in 12 mm curved smoked glass. Upper position.</i>	VM/119FU	119	48	28	16	38	0,37
Elemento contenitore ricoperto con Skinglass effetto tessuto, finitura avorio. <i>Container element covered with fabric-effect Skinglass, ivory finish.</i>	VM/120I	240	50	72	39	61	0,35
Elemento contenitore ricoperto con Skinglass effetto tessuto, finitura grafite. <i>Container element covered with fabric-effect Skinglass, graphite finish.</i>	VM/120G	240	50	72	39	61	0,35
Elemento contenitore ricoperto con Skinglass effetto tessuto, finitura Moka. <i>Container element covered with fabric-effect Skinglass, Moka finish.</i>	VM/120M	240	50	72	39	61	0,35
BASI _ BASES							
Base da 120 cm in vetro extralight. <i>Base L 120 cm in extralight glass.</i>	V/120X	120	50	16	24	47	0,27
Base da 120 cm in vetro fumé. <i>Base L 120 cm in smoked glass.</i>	V/120F	120	50	16	24	47	0,27
Base da 240 cm in vetro extralight. <i>Base L 240 cm in extralight glass.</i>	V/240X	240	50	16	45	75	0,52
Base da 240 cm in vetro fumé. <i>Base L 240 cm in smoked glass.</i>	V/240F	240	50	16	45	75	0,52

La madia Varesina è disponibile anche con base a misura (min. 120 - max. 360 cm).

Per informazioni contattare il customer service.

The cupboard Varesina is available also with custom-sized base (min. 120 - max. 360 cm).

For more information contact Fiam customer service.



AV11

Vetro "Skinglass" Avorio
"Skinglass" Ivory finish



AV12

Vetro "Skinglass" Grafite
"Skinglass" Graphite finish



AV13

Vetro "Skinglass" Moka
"Skinglass" Graphite finish