

Regolo double base

design Lievore Altherr Molina

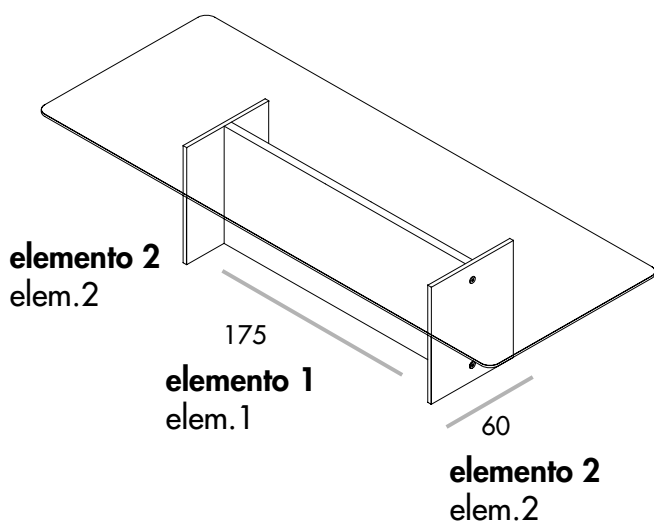
SOVET

ITALIA

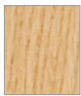
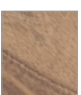
Tavolo con top disponibile in vetro extrachiario trasparente o stratificato fumé. Base composta da un elemento in legno, varie finiture, e due elementi in vetro stratificato laccato nero.

Dining table with extralight clear or smoked laminated glass top. Base composed of a wooden element, various finishes, and two black lacquered laminated glass elements.

FORME E DIMENSIONI / SHAPES AND DIMENSIONS



320x120x74h

FINITURE ELEMENTO 1 / ELEMENT 1 FINISHES	FINITURE ELEMENTO 2 / ELEMENT 2 FINISHES	FINITURE TOP / TOP FINISHES
<p>LEGGNO WOOD</p>	<p>VETRO STRATIFICATO LAMINATED GLASS</p>	<p>VETRO EXTRACHIARO / VETRO FUMÉ EXTRALIGHT GLASS / SMOKED GLASS</p>
<p>RN / RG / WG / NC</p>	<p>TFN1</p>	<p>TETE Sp./Th. 15 mm / TTF Sp./Th. 8+8 mm</p>
 <p>RN</p>  <p>RG</p>  <p>WG</p>  <p>NC</p>	 <p>TFN1</p>	 <p>TETE</p>  <p>TTF</p>