

Toronto

design Mara Panizzo

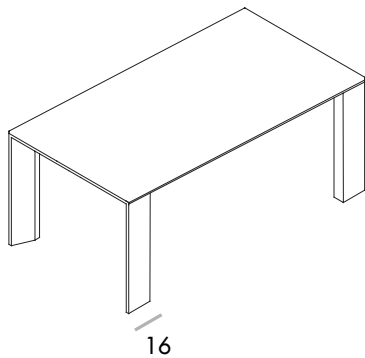
Tavolo con gambe e struttura in legno impiallacciato, varie finiture. Top in vetro temperato laccato o acidato laccato, varie finiture. Disponibile anche con piano in ceramica, varie finiture.

Dining table with legs and structure in veneered wood, various finishes. Tempered glass top, lacquered or frosted lacquered, various finishes. Available also with ceramic top, various finishes.

SOVET

ITALIA

FORME E DIMENSIONI / SHAPES AND DIMENSIONS



- 200x100x74h 250x120x74h
- 250x100x74h 300x120x74h

FINITURE BASE / BASE FINISHES

FINITURE TOP / TOP FINISHES

Legno/Wood



WG NC

VETRO EXTR.
EXTR. GLASS
Lacquered
Cat. B/D

- TEB1
- TEC1
- TEC2
- TEC3
- TER4
- TEV2
- TEN1
- TEM6
- TES1

ACIDATO
FROSTED
Lacquered
Cat. E

- AEB1
- AEC1
- AEC2
- AEC3
- AER4
- AEV2
- AEN1
- AEM6
- AES1

CERAMICA
CERAMIC

- CE1
- *
- CT
 - CD
 - CG
 - CM
 - CX
 - CC
 - CZ

- CE2
- *
- CA
 - CO
 - CI
 - CU
 - CY
 - CL
 - CQ

* Top in ceramica: 6 mm ceramica + 6 mm vetro

Ceramic top: 6 mm ceramic + 6 mm glass