

PARTY / LIVE - BASE (TABLE H. 74)

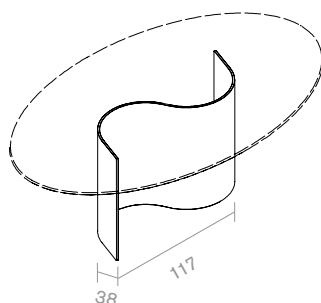
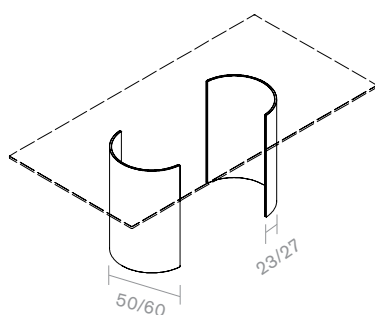
design Studio Sovet
1988

SOVETITALIA
NEW SHAPES FOR GLASS

Basi per tavoli a semicerchio o con forma a "S" in vetro curvo trasparente, trasparente extrachiaro o laccato, mono o bicolore.

Bases for dining tables with semicircle or "S" - shape bases in clear, extralight or lacquered mono or two-tones glass.

FORME E DIMENSIONI / SHAPES AND DIMENSIONS



Ø 50x72h

117x38x72h

Ø 60x72h

FINITURE TOP / TOP FINISHES

VETRO FLOAT
CLEAR GLASS

VETRO EXTRACHIARO
EXTRALIGHT GLASS

	Clear TRTR	Lacquered Cat. A	Two-tones Cat. A or C	Extralight TETE	Lacquered Cat. B	Two-tones Cat. B or D
	TRTR	TRB2 TRC1 TRN1 TRN2 TRR1 TRMP	TRB2 TRC1 TRN1 TRN2 TRR1 TRMP TRM1 * TRM2 * TRM3 *	TETE	TEA1 TEB1 TEC2 TER2 TER3 TEV1	TEA1 * TEB1 TEC2 TER2 TER3 TEV1 TEM4 * TEM5 * TES1 *

* I colori contrassegnati possono essere utilizzati solo per il lato esterno e devono essere sempre protetti internamente da un secondo colore.

* The marked colours can only be used on the external side and need to be protected by a second internal colour.

PARTY / LIVE - TOP (TABLE H. 74)

design Studio Sovet
1988

SOVETITALIA
NEW SHAPES FOR GLASS

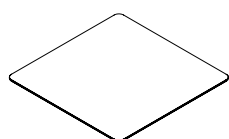
Solo top in vetro temperato di varie forme e finiture da sommare alla base prescelta.

Tempered glass top only. Available in various dimensions and finishes to match bases.

FORME E DIMENSIONI / SHAPES AND DIMENSIONS



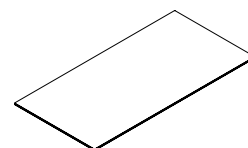
- Ø 120
- Ø 130
- Ø 140
- Ø 150
- Ø 170



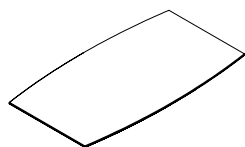
- 110x110
- 130x130
- 140x140



- 160x100
- 180x130
- 200x110
- 220x130



- 180x90
- 200x100
- 250x100
- 200x100
- 300x120
- 200x120
- 220x120
- 320x120



- 200x110

FINITURE TOP / TOP FINISHES

VETRO FLOAT CLEAR GLASS

Clear
TRTR



TRTR

Lacquered
Cat. A / C

- TRB2
- TRC1
- TRN1
- TRN2
- TRR1
- TRMP
- TRM1
- TRM2
- TRM3

VETRO EXTRACHIARO EXTRALIGHT GLASS

Extralight
TETE



TETE

Lacquered
Cat. B / D

- TEA1
- TEB1
- TEC2
- TER2
- TER3
- TEV1
- TEM4
- TEM5
- TES1

ACIDATO FROSTED

Frosted
AEAE



AEAE

Lacquered
Cat. E

- AEA1
- AEB1
- AEC1
- AEC2