

Collection PUSH

rochebobois
PARIS

design Joël Escalona



DL036

Collection PUSH

rochebobois
PARIS

design Joël Escalona



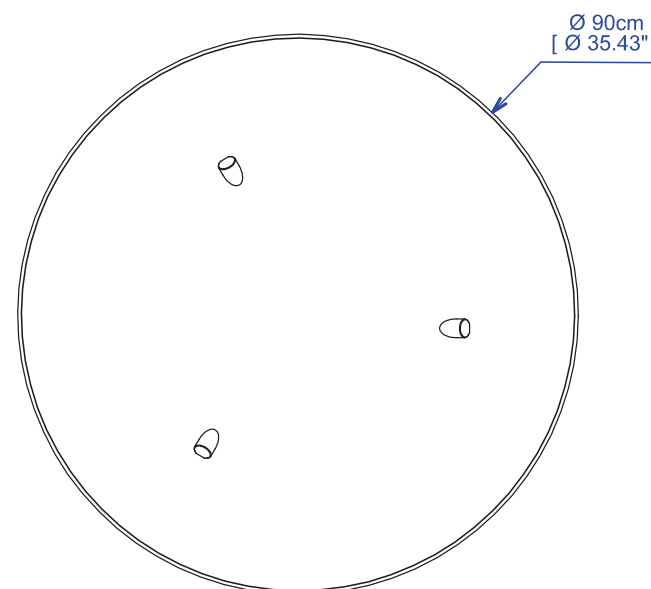
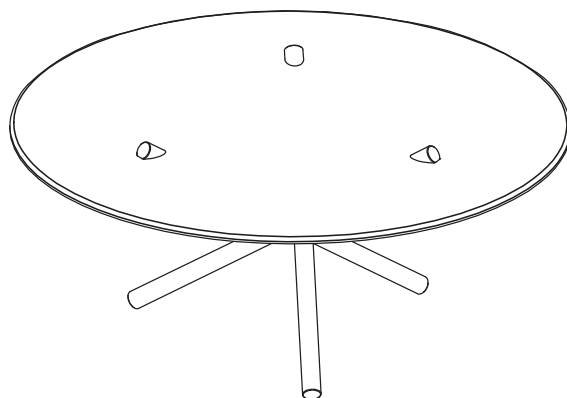
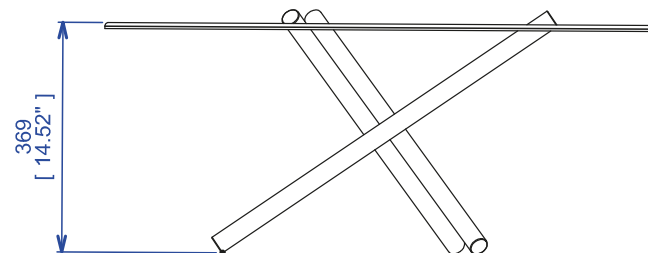
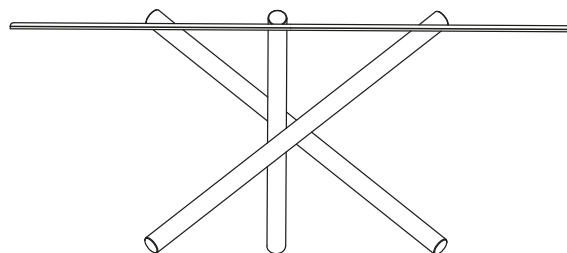
Table basse - Cocktail table - Mesa de centro

DL036

Collection PUSH

rochebobois
PARIS

design Joël Escalona



PUS01- Table basse - L90.00 x H37.00 x P90.00 cm - L35.43 x H14.52 x P35.43 inch
Table basse avec plateau en Daquacryl® thermoformé (37 coloris) et piètement tripode en acier laqué noir mat.
Fabrication européenne

PUS01- Cocktail table - L90.00 x H37.00 x P90.00 cm - L35.43 x H14.52 x P35.43 inch
Cocktail table with top in Daquacryl (3 mm-thick PMMA high gloss veneer on engineered composite wood), thermoformed (37 colours available) and base with 3 legs in lacquered steel col. matte black.
Manufactured in Europe.

PUS01 - Mesa de centro - L90.00 x H37.00 x P90.00 cm - L35.43 x H14.52 x P35.43 inch
Mesa de centro con sobre en Daquacryl® (chapado de PMMA 3 mm, acabado gran brillo sobre paneles de partículas) termoformado (37 colores) y pata tripode en acero lacado negro mate.
Fabricación europea.

Collection PUSH

rochebobois
PARIS

design Joël Escalona



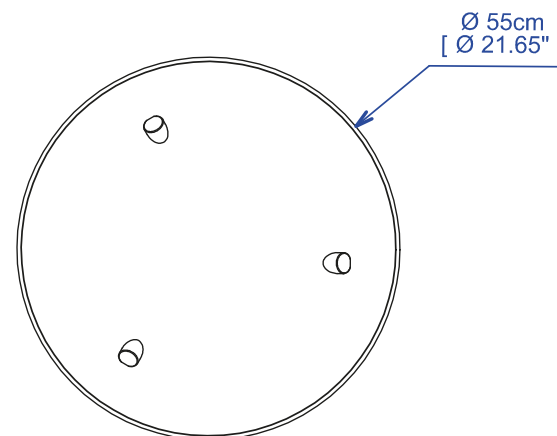
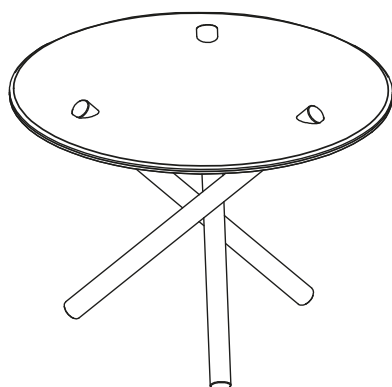
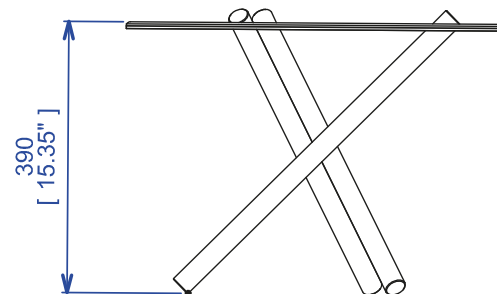
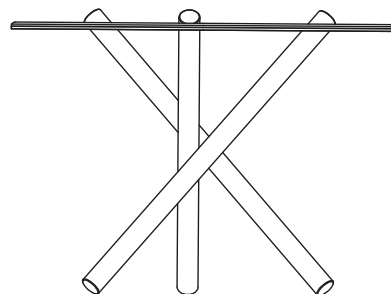
Bout de canapé - End table - Mesa de rincón

DL036

Collection PUSH

rochebobois
PARIS

design Joël Escalona



PUS09 - Bout de canapé - L55.00 x H39.00 x P55.00 cm - L21.65 x H15.35 x P21.65 inch
Table basse avec plateau en Daquacryl® thermoformé (37 coloris) et piètement tripode en acier laqué Noir mat.
Fabrication européenne

PUS09 - End table - L55.00 x H39.00 x P55.00 cm - L21.65 x H15.35 x P21.65 inch
End table with top in Daquacryl (3 mm-thick PMMA high gloss veneer on engineered composite wood), thermoformed (37 colours available) and base with 3 legs in lacquered steel col. matte black.
Manufactured in Europe

PUS09 - Mesa de rincón - L55.00 x H39.00 x P55.00 cm - L21.65 x H15.35 x P21.65 inch
Mesa de centro con sobre en Daquacryl® (chapado de PMMA 3 mm, acabado gran brillo sobre paneles de partículas) termoformado (37 colores) y pata trípode en acero lacado negro mate.
Fabricación europea.