
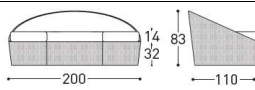

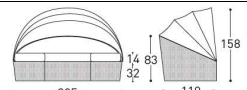




ARENA

Design R & S Varaschin

Collection in powder coated aluminium frame and hand woven man-made fibre.

<p>weaving:</p> <p>WHITE DARK BROWN</p>	<table border="1"> <tr> <td>OUT</td> <td>X</td> </tr> <tr> <td></td> <td>X</td> </tr> </table>	OUT	X		X	  <p>semicircular sofa 1617</p> <p>IGSED 9435</p> <p>gross kg:34,3 m³:1,995 fabric: 6,8ml</p> <p>CUSCINI INCLUSI CUSHIONS INCLUDED</p> <table border="1"> <tr> <td>35x35</td> <td>40x40</td> <td>45x45</td> </tr> <tr> <td>2 pz</td> <td>2 pz</td> <td>2 pz</td> </tr> </table>	35x35	40x40	45x45	2 pz	2 pz	2 pz	  <p>semicircular sofa w/capote 1618</p> <p>I1618 9435</p> <p>gross kg:39,7 m³:1,995 fabric: 6,8ml</p> <p>CUSCINI INCLUSI CUSHIONS INCLUDED</p> <table border="1"> <tr> <td>35x35</td> <td>40x40</td> <td>45x45</td> </tr> <tr> <td>2 pz</td> <td>2 pz</td> <td>2 pz</td> </tr> </table>	35x35	40x40	45x45	2 pz	2 pz	2 pz
OUT	X																		
	X																		
35x35	40x40	45x45																	
2 pz	2 pz	2 pz																	
35x35	40x40	45x45																	
2 pz	2 pz	2 pz																	

STRUCTURAL COMPONENTS

SEMICIRCULAR SOFA WITH POWDER COATED ALUMINIUM FRAME AND SYNTHETIC FIBER WEAVING. ALUMINIUM FEET WITH SUPPORTS IN POLYPROPYLENE.

SEAT: QUICK DRY POLYURETHANE PADDING IN SEVERAL DENSITIES. REMOVABLE CUSHION COVER.

CUSHION: 100% SPIRAL SILICON POLYESTER FIBER PADDING WITH OUTSIDE MESH IN POLYPROPYLENE. REMOVABLE CUSHION COVER. CHARACTERISTICS OF THE COVERS ARE DESCRIBED IN THE VARASCHIN FOLDER "FABRICS".

INSTRUCTIONS FOR USING THE PRODUCT PROPERLY AND SAFELY

VARASCHIN IS NOT LIABLE FOR DAMAGE CAUSED BY IMPROPER USE. THE SAME APPLIES TO DAMAGE DERIVING FROM USE IN EXTREME WEATHER CONDITIONS OR LACK OF CARE. TIPS FOR EXTENDING LONGEVITY OF COMPONENTS: DURING THE WINTER STORE IN A DRY AND CLOSED PLACE TO AVOID CONDENSATION .

DO NOT STEP ON WITH FEET. DO NOT SWING BACK AND FORTH ON THE LEGS. DO NOT SIT ON THE BACK OR ON ARMS. DO NOT USE AS A LADDER. BUTTONS AND THE ZIPPERS OF CLOTHING MAY CAUSE DAMAGE TO THE MATERIALS. IF NECESSARY, PLEASE CONTACT VARASCHIN SPA.

GENERAL INSTRUCTIONS FOR MAINTENANCE AND CLEANING

FOR DAILY CLEANING USE A DRY COTTON CLOTH. FOR MORE THOROUGH CLEANING USE ONLY A NEUTRAL PRODUCT DILUTED IN WARM WATER. NEVER USE ALCOHOL, AMMONIUM, THINNERS OR ABRASIVE PRODUCTS. IN MARINE ENVIRONMENTS ARTICLE SHOULD BE WEEKLY WHASED WITH FRESH WATER. WE WOULD ADVISE USING GOLDEN CARE PRODUCTS AS THEY ARE SPECIALLY DESIGNED FOR CLEANING METAL, GLASS AND SYNTHETIC FIBRES. FOR CLEANING AND TAKING CARE OF FABRICS, SEE THE VARASCHIN SPA "FABRICS" FOLDER. YOU CAN DOWNLOAD FROM OUR WEBSITE WWW.VARASCHIN.IT / "CARTELLA TESSUTI" OR ASK FOR IT VIA E-MAIL AT VARASCHIN@VARASCHIN.IT

GENERAL INFORMATION

N.B.: VARASCHIN SPA GUARANTEES THAT THE PRODUCT IS MADE OF QUALITY MATERIALS, USING THE BEST TECHNOLOGIES IN THE TRADE. THE COMPANY DECLINES ALL AND ANY LIABILITY FOR DAMAGE TO PERSONS AND/OR THINGS DUE TO IMPROPER USE OF THE PRODUCT. IF IN DOUBT PLEASE CONTACT THE MANUFACTURER.

DISPOSAL

PLEASE DO NOT JUST THROW OUT THE PIECE OF FURNITURE OR ANY PART OF IT. WHEN IT IS NO LONGER WANTED, CALL THE DISPOSAL COMPANY TO HAVE IT TAKEN TO A COLLECTION OR RECOVERY POINT.

FIRE-FIGHTING MEASURES

ALTHOUGH THE PRODUCT IS INFLAMMABLE, IT IS COMBUSTIBLE. THERE ARE NO RESTRICTIONS ON THE TYPES OF EXTINGUISHERS: POWDER, WATER, FOAM OR CO2. USE SUITABLE PROTECTION TO AVOID BREATHING IN FUMES. DURING DISPOSAL TAKE SPECIAL CARE TO PROTECT THE RESPIRATORY SYSTEM.

PRODUCT WARRANTY

REFER TO ARTICLE 3 "PRODUCT WARRANTY" PUBLISHED ON SALES CONDITIONS, DOCUMENTS OF SALE, WEBSITE www.varaschin.it

TECHNICAL INFO SHEET: This product information sheet complies with Italian Legislative Decree No. 206 of 6 September 2005, "Consumer Code".

The information given above refers to the latest data published in the price list. The company reserves the right to alter the models without notice.

COMPANY WITH SYSTEM MANAGEMENT QUALITY CERTIFIED **UNI EN ISO 9001: 2015**