



DEER

Design ANKI GNEIB

Table with cathaphoresis treated flat steel structure, powder coated. Rectangular or elliptic tops available in Hpl and ceramic.




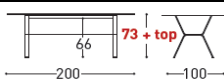


METAL structure:

WHITE
SILK GREY
GREY
MOKA
BLACK



top:

HPL
BUSH-HAMMERED CERAMIC

 table 200x100 3378 I3378 9435C	 table 240x100 3389 I3378 9436C
w/hpl top: lordo kg 90,3 3 pieces netto kg 83 m ³ 0,224	w/hpl top: lordo kg 101,6 3 pieces netto kg 93,4 m ³ 0,246
w/ceramic top: lordo kg 169,5 3 pieces netto kg 116,1 m ³ 0,323	w/ceramic top: lordo kg 194,7 3 pieces netto kg 133,4 m ³ 0,365
 table 220x120 3378E I3378 9435C	 table 280x120 3389E I3378 9465C
w/hpl top: lordo kg 99,5 3 pieces netto kg 91,3 m ³ 0,299	w/hpl top: lordo kg 116,8 3 pieces netto kg 107,1 m ³ 0,348
w/ceramic top: lordo kg 192,5 3 pieces netto kg 126,9 m ³ 0,383	w/ceramic top: lordo kg 232,3 3 pieces netto kg 152,7 m ³ 0,455

STRUCTURAL COMPONENTS

TABLE WITH FLAT STEEL WIRE BASE, CATAPHORESIS TREATED FOR OUTDOORS. POWDER COATED MAT FINISH.
DIFFERENT TABLE TOP SOLUTIONS: HPL, BUSH-HAMMERED CERAMIC.

INSTRUCTIONS FOR USING THE PRODUCT PROPERLY AND SAFELY

VARASCHIN IS NOT LIABLE FOR DAMAGE CAUSED BY IMPROPER USE. THE SAME APPLIES TO DAMAGE DERIVING FROM USE IN EXTREME WEATHER CONDITIONS OR LACK OF CARE. TIPS FOR EXTENDING LONGEVITY OF COMPONENTS: DURING THE WINTER STORE IN A DRY AND CLOSED PLACE TO AVOID CONDENSATION. DO NOT STEP ON WITH FEET. DO NOT SWING BACK AND FORTH ON THE LEGS. DO NOT SIT. DO NOT USE AS A LADDER. BUTTONS AND THE ZIPPERS OF CLOTHING MAY CAUSE DAMAGE TO THE MATERIALS. IF NECESSARY, PLEASE CONTACT VARASCHIN SPA.

GENERAL INSTRUCTIONS FOR MAINTENANCE AND CLEANING

FOR DAILY CLEANING USE A DRY COTTON CLOTH. FOR MORE THOROUGH CLEANING USE ONLY A NEUTRAL PRODUCT DILUTED IN WARM WATER. NEVER USE ALCOHOL, AMMONIUM, THINNERS OR ABRASIVE PRODUCTS. IN MARINE ENVIRONMENTS ARTICLE SHOULD BE WEEKLY WHASED WITH FRESH WATER. WE WOULD ADVISE USING GOLDEN CARE PRODUCTS AS THEY ARE SPECIALLY DESIGNED FOR CLEANING METAL, GLASS AND SYNTHETIC FIBRES.

GENERAL INFORMATION

N.B.: VARASCHIN SPA GUARANTEES THAT THE PRODUCT IS MADE OF QUALITY MATERIALS, USING THE BEST TECHNOLOGIES IN THE TRADE. THE COMPANY DECLINES ALL AND ANY LIABILITY FOR DAMAGE TO PERSONS AND/OR THINGS DUE TO IMPROPER USE OF THE PRODUCT. IF IN DOUBT PLEASE CONTACT THE MANUFACTURER.

DISPOSAL

PLEASE DO NOT JUST THROW OUT THE PIECE OF FURNITURE OR ANY PART OF IT. AT THE END OF ITS USE, PROVIDE FOR THE RECYCLING OR DISPOSAL OF THE COMPONENTS IN THE APPROPRIATE AREAS.

FIRE-FIGHTING MEASURES

ALTHOUGH THE PRODUCT IS INFLAMMABLE, IT IS COMBUSTIBLE. THERE ARE NO RESTRICTIONS ON THE TYPES OF EXTINGUISHERS: POWDER, WATER, FOAM OR CO₂. USE SUITABLE PROTECTION TO AVOID BREATHING IN FUMES. DURING DISPOSAL TAKE SPECIAL CARE TO PROTECT THE RESPIRATORY SYSTEM.

PRODUCT WARRANTY

REFER TO ARTICLE 3 "PRODUCT WARRANTY" PUBLISHED ON SALES CONDITIONS, DOCUMENTS OF SALE, WEBSITE www.varaschin.it

TECHNICAL INFO SHEET: This product information sheet complies with Italian Legislative Decree No. 206 of 6 September 2005, "Consumer Code".

The information given above refers to the latest data published in the price list. The company reserves the right to alter the models without notice.

COMPANY WITH SYSTEM MANAGEMENT QUALITY CERTIFIED **UNI EN ISO 9001: 2015**