



MERONI & COLZANI
M I L A N O

FIORICHIARI

Arch. Maurizio Di Mauro



DESCRIPTION

Armchair whose design recalls that of the '50s thanks to its shapes - so perfectly delineated and sculpted to look cut with a scalpel. Fiorichiari is a true geometric and perspective play. Its legs in solid wood, protruding from the fabric cover, support a structure which at times seems curvilinear or linear, depending on the perspective used to look at it.

TECHNICAL INFORMATION

Typology

Armchair

Structure and padding

Wood covered in differential density polyurethane with dacron layers and fine velvet in nylon fibre.

Cover

Fabric or leather, not removable

Legs

Solid walnut | Solid ash

Dimensions

Low : cm 65x97x78h | in 25"3/5x38"1/5x30"5/7h

High: cm 65x102x109h | in 25"3/5x41"1/3x43"h

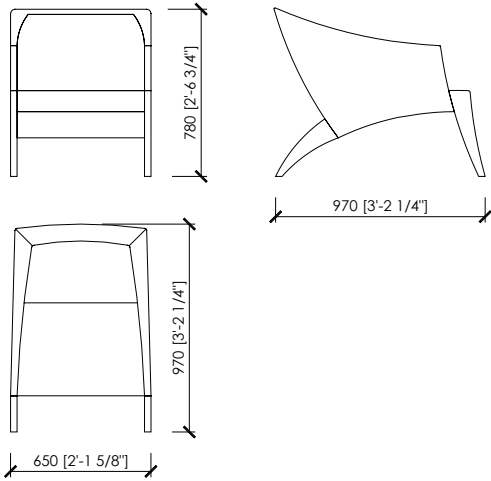


MERONI & COLZANI
M I L A N O

FIORICHIARI

Arch. Maurizio Di Mauro

FIORICHIARI LOW



FIORICHIARI HIGH

