



MERONI & COLZANI  
M I L A N O

## OPERA LOW

MC Lab



## DESCRIPTION

Continuous and generous lines, extraordinarily rounded: an invitation to let yourself go, taking your seat. Opera is recognizable by its elegant back embroidered with four buttons and its decorative stitching, more or less evident depending on the color combinations you choose. Why have we called it Opera Low? Because its back is classic and enveloping, yet medium in height.

## TECHNICAL INFORMATION

### Typology

Armchair | Sofa lounge | pouf

### Structure and padding

Wood covered in differential density polyurethane with dacron layers and fine velvet in nylon fibre.

### Cover

Completely removable cover in fabric, not removable cover in leather.  
Detail with bottoms to the back

### Stitch

Piping colors of sample book.

### Dimensions

Armchair: cm 78x98x68h. | in 30"5/7x38"4/7x26"7/9h

Sofa lounge: cm 200x98x68h. | in 78"3/4x38"4/7x26"7/9h

Pouf: cm 60x40x42h | in 25"5/8x15"3/4x16"1/2

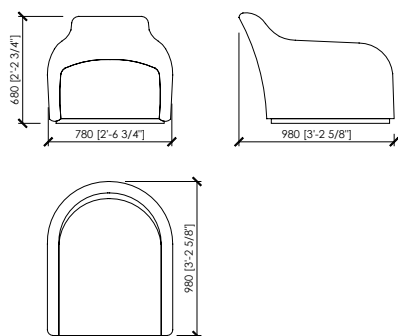


MERONI & COLZANI  
M I L A N O

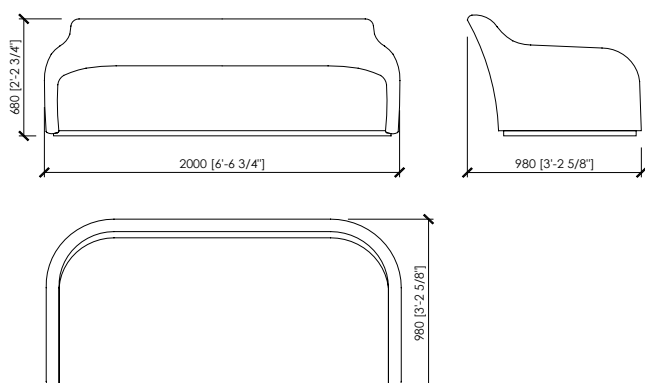
## OPERA LOW

MC Lab

POLTRONA OPERA LOW / ARMCHAIR OPERA LOW



DIVANO OPERA LOW / SOFA OPERA LOW



POUF

