



MERONI & COLZANI
M I L A N O

ETNA

Designer Matteo Stucchi



DESCRIPTION

The Etna coffee tables is a contemporary collection of cocktail table featuring curved and cylinder wood. The magazine rack with saddle top is a real statement piece. Available in all MC colors

TECHNICAL INFORMATION

Typology

Coffee table

Cylindrical structure

Curved wood canaletto walnut veneered | curved wood lacquered

Top

MDF panel matt lacquered

Dimensions

cm. 150x60x42h | in 59"x23"5/8x16"1/2h

cm. 80x45x60h | in 31"1/2x17"5/7x23"5/8h

cm. 65x45x73h | in 25"3/5x17"5/7x28"3/4h

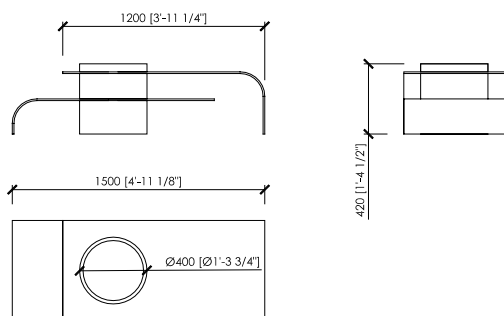


MERONI & COLZANI
MILANO

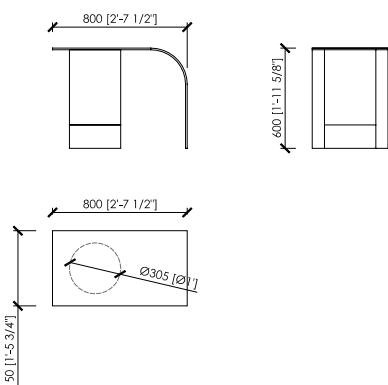
ETNA

Designer Matteo Stucchi

TAVOLINO RETTANGOLARE /
RECTANGULAR COFFEE TABLE
150X60XH42



TAVOLINO RETTANGOLARE /
RECTANGULAR SIDE TABLE
80X45XH60



PORTARIVISTE / MAGAZINE RACK
65X45XH73

