



## FAMILY LOUNGE

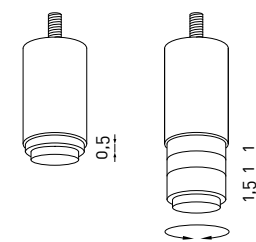
design Piero Lissoni

Fix or modular sofa with one-piece frame in double-paneled poplar and pine. Steel frame with support in cross-woven, coated rubber elastic straps. Shell padding in differentiated density polyurethane foam with covering in needle punched, resinated, non-woven polyester fibre, bonded onto a polyamide velveteen backing and 100% polyether thermally bonded onto a polyamide velveteen backing. Seat cushions in differentiated density polyurethane foam, coated with acrylic fibre layers.

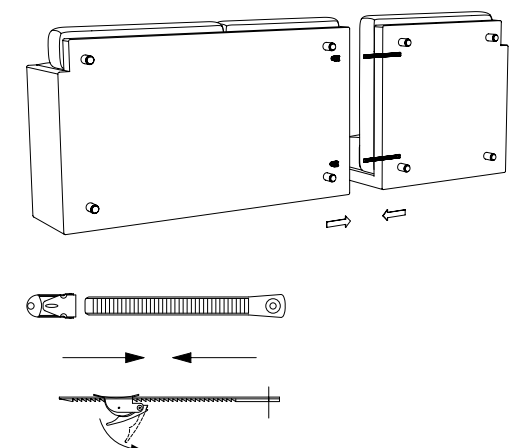
Backrest and armrest cushions in differentiated density polyurethane foam, coated with acrylic fibre layers, or on request, in prewashed and sterilized goose down, stitched into separate compartments, with preformed polyurethane foam insert. Backrest and seat cushions, joined together by zipper. Anodized aluminum black feet, adjustable on three levels, from 7 to 10cm. Fabric or leather upholstery. The fabric version only is fully removable by zippers and Velcro fastenings. The leather version is always with non-removable upholstery. Seat depth: 83cm.

### Notes

Anodized aluminium black feet, adjustable on three levels, from 7 to 10cm.

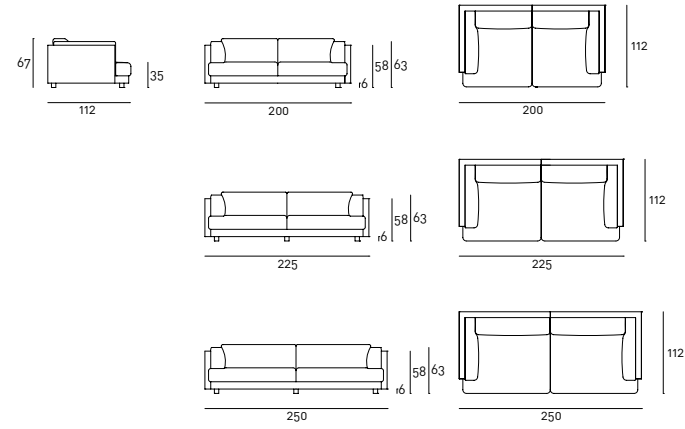


Modular elements are joined with provided hooks for assembly, as per instructions included with the product.

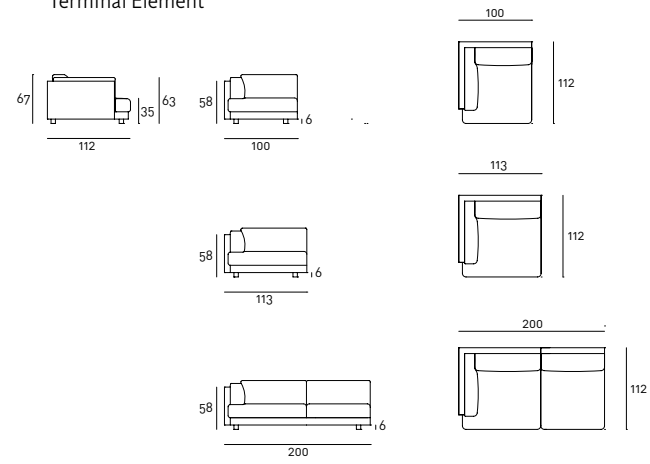


For compositions with different elements, please attach a general sketch to the order.

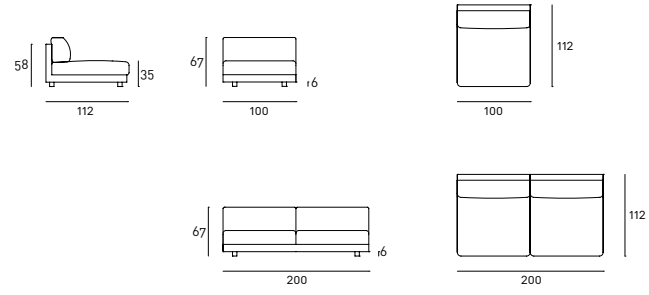
**Technical Drawings**  
Sofa



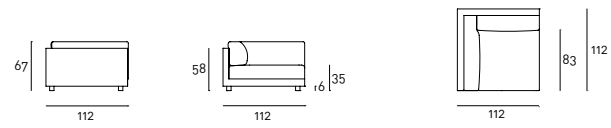
**Terminal Element**



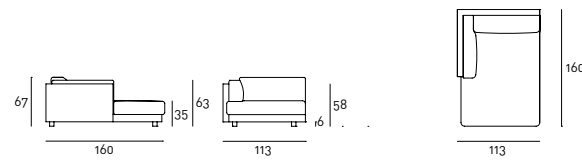
**Central Element**



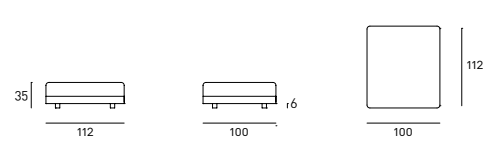
**Corner Element**



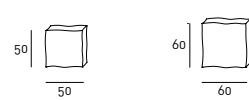
**Long Seat**



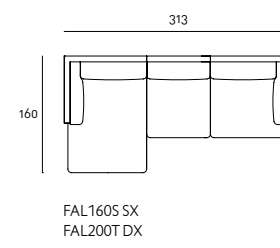
**Footrest**



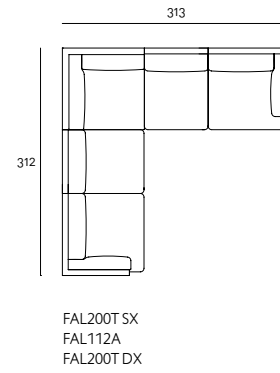
**Loose Cushion**



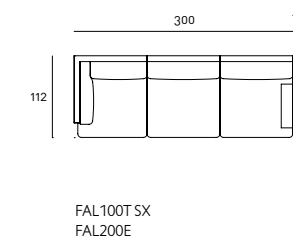
**Examples of Composition**  
Composition 01



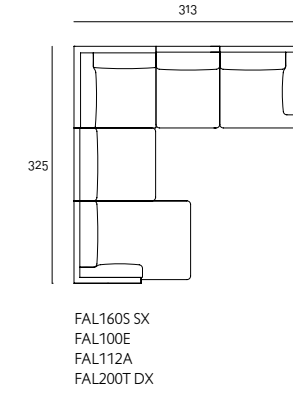
**Composition 03**



**Composition 02**



**Composition 04**



The commercial codes refer to the elements chosen in the above-proposed compositions.



