



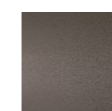
METROCUBO

design Piero Lissoni

Fixed or modular sofa with frame in double-paneled poplar and pine. Seat frame with cross-woven, coated rubber elastic straps. Padding in differentiated density polyurethane foam covered with a mat in prewashed and sterilized goose down, stitched into separate compartments, and coated with a covering in needle punched, resinated, non-woven polyester fiber, bonded onto a polyamide velveteen backing. Pin and bush enabling the backrest and armrests

to be unhooked from the frame to allow complete removal of the covers. Steel base with burnished epoxy powder coating. Floor support secured by black PVC tips. Fabric or leather upholstery, both fully removable by Velcro fastenings. Modular elements are joined with hooks for assembly. Seat depth: 67-127 cm.

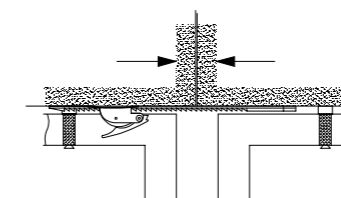
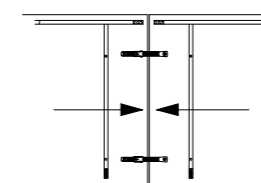
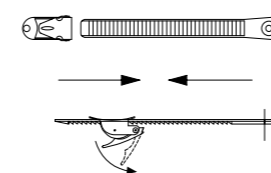
Base



Burnished
Painted Steel

Notes

Hook for assembly of modular elements.



Modular elements are joined with provided hooks for assembly, as per instructions included with the product.

The central stitching on elements cm. 140x140, can be avoided only if upholstered with fabrics higher than cm. 140.

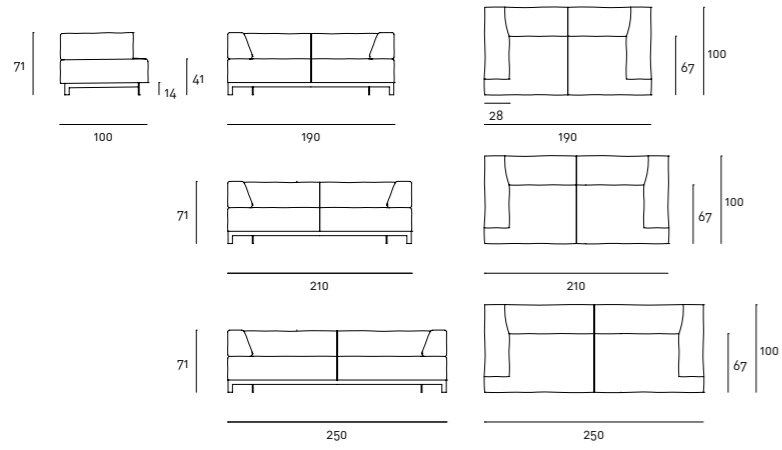
Elements with central backrest cannot be combined with elements with side backrest.

All elements 160x160cm have one central stitching.

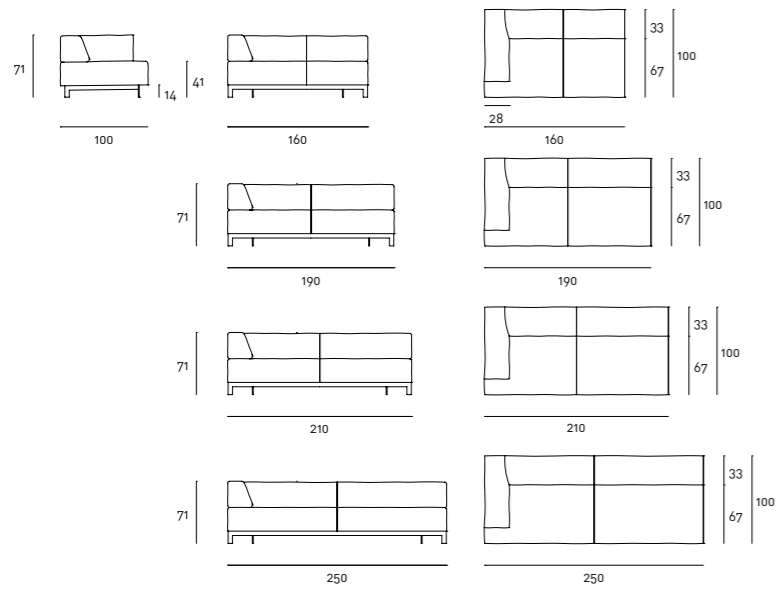
For compositions with different elements, please attach a general sketch to the order.

Technical Drawings

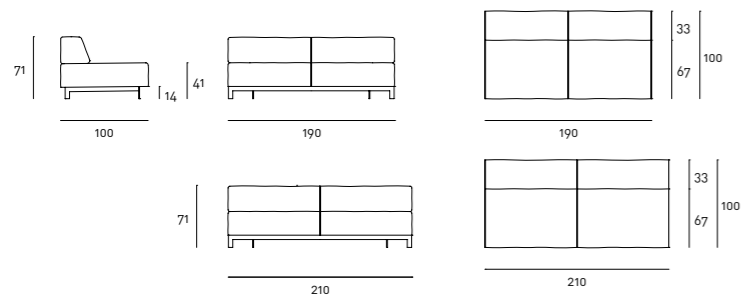
Sofa



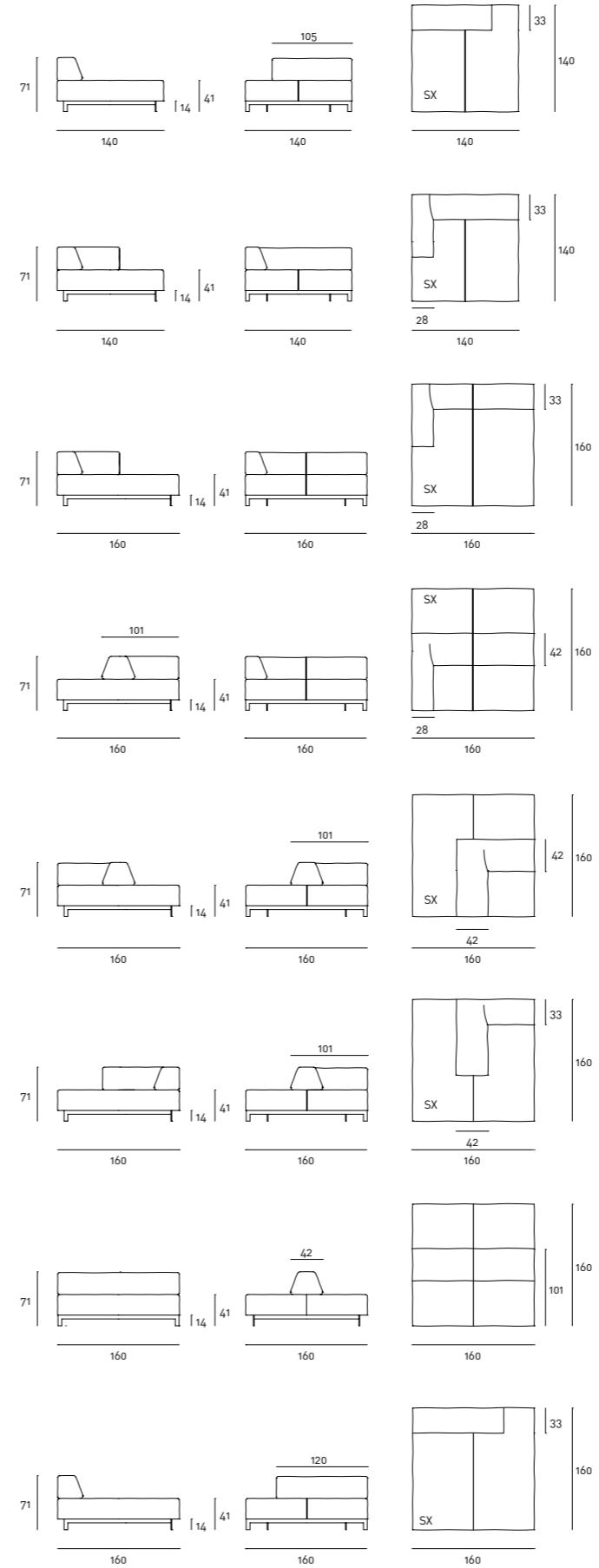
Terminal Element



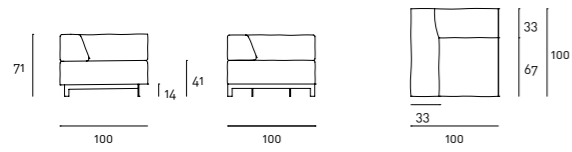
Central Element



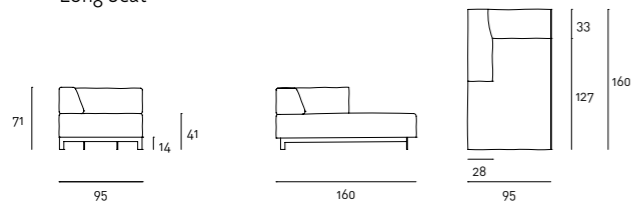
Element



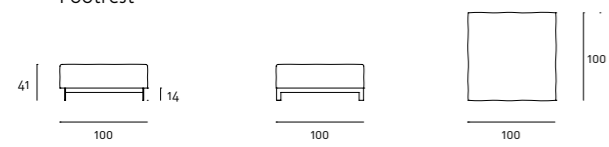
Corner Element



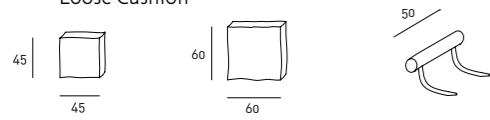
Long Seat



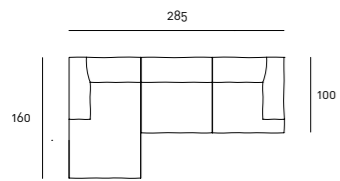
Footrest



Loose Cushion

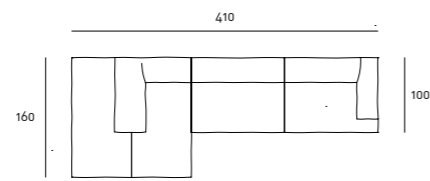


Examples of Composition
Composition 01



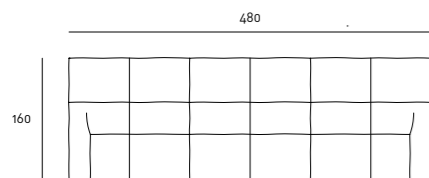
MECS160 SX
MECT190 DX

Composition 02



MECW160 SX
MECT250 DX

Composition 03



MECK160 SX
MECY160
MECK160 DX

Composition 04



MECT160 SX
MECT160 DX

The commercial codes refer to the elements chosen in the above-proposed compositions.

