



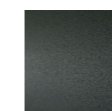
ROD BEAN

design Piero Lissoni

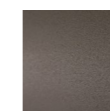
Supporting structure in 5mm laser cut steel sheet and calandered and painted tubular steel; seat sprung with coated rubber elastic straps padding in polyurethane foam. Backrest with curved structure and armrests structure in 8mm layered HPL panel. Covering in 100% polyether, thermally bonded onto a polyamide velveteen backing. Backrest and seat cushions, joined together by zipper, in prewashed and sterilized goose down, stitched into separate compartments, with differentiated polyurethane foam and Visco-soft. On request, seat cushions quilted with buttons at sight, or quilted without buttons. Armrest cushions in polyurethane

foam covered with prewashed and sterilized goose down stitched into separate compartments, with a poplar plywood supporting panel, fixed to the frame by plug-in hinges. Stainless Steel feet, polished or matt satin-finish, or lacquered with epoxy powder coating burnished colour or gunmetal grey colour, screwed to the base with a bushing, and with adjustable black PVC tips. Leather or fabric upholstery, both fully removable by zippers and Velcro fastenings. Seat depth: 60cm; Double seat depth: 60–80cm.

Feet



Steel with Gunmetal Grey Coating



Burnished Painted Steel



Stainless Steel with Polished Finish

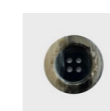


Stainless Steel with Matt Satin Finish

Buttons



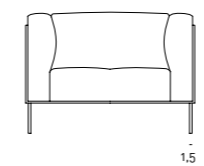
col. Light



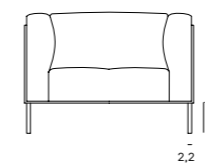
col. Dark

Notes

Standard feet in Ø1,5cm Stainless Steel; on request available also in Ø2,2cm.



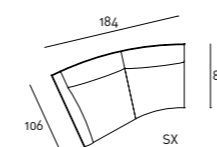
Standard feet Ø1,5cm



On request, available in Ø2,2cm

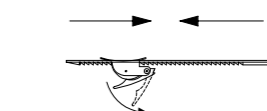
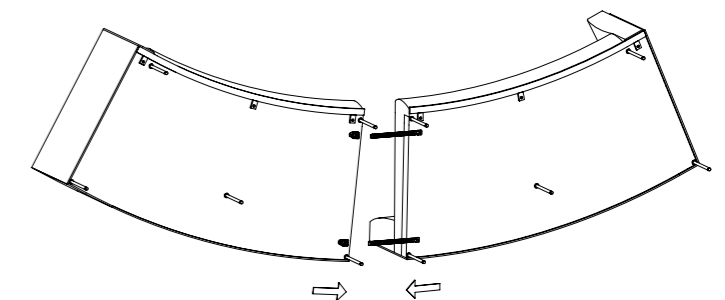
Buttons available in two variants and, as standard, matching the color of the chosen cover. On request, to be specified when ordering, available also contrasting buttons.

Standard seat cushion when in composition with Rod Bean elements.



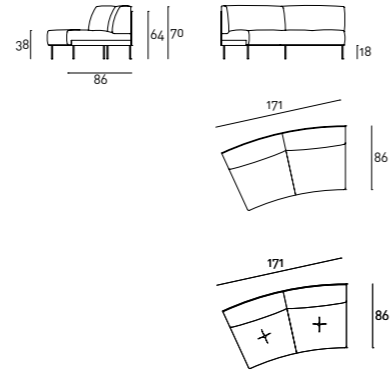
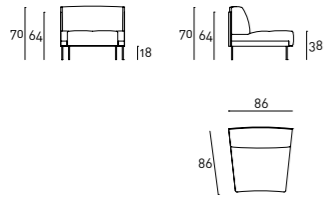
When in composition with Rod System elements, as standard, seat cushions quilted with buttons at sight.

Modular elements are joined with provided hooks for assembly, as per instruction included in the product.

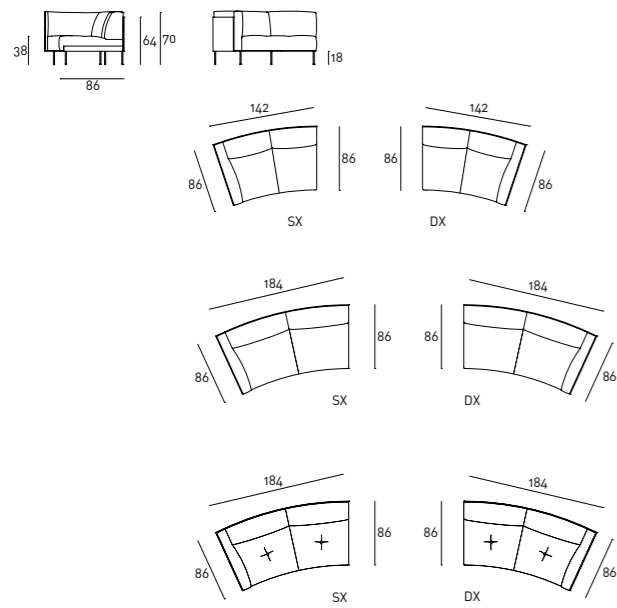


For composition with different elements, please attach a general sketch to the order.

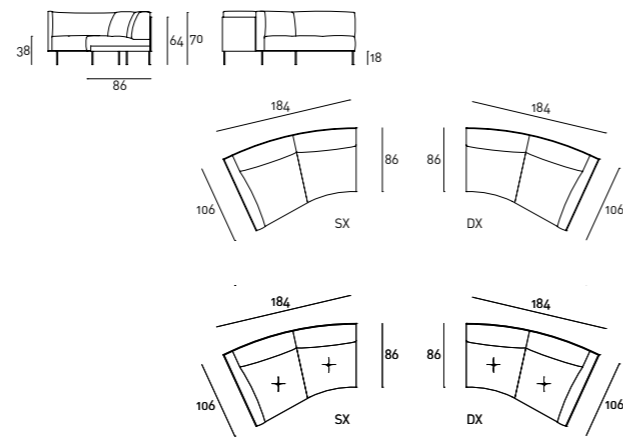
Technical Drawings
Central Element



Terminal Element with Single Depth



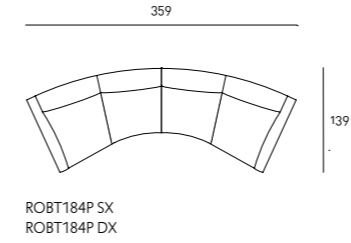
Terminal Element with Double Depth



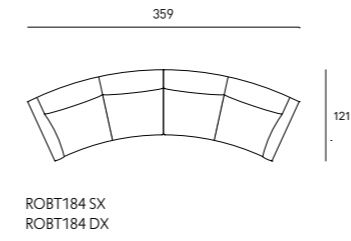
Loose Cushion



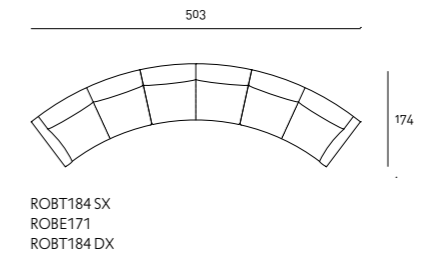
Examples of Composition
Composition 01/Double Depth



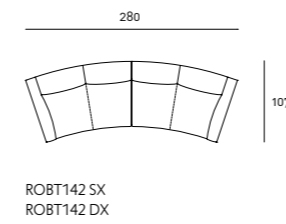
Composition 02/Single Depth



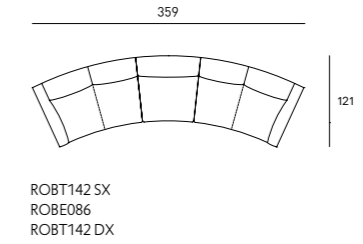
Composition 03/Single Depth



Composition 04/Single Depth



Composition 05/Single Depth



The commercial codes refer to the elements chosen in the above-proposed compositions.

