



ILE BED

design Piero Lissoni

Bed with headboard and bedstead structure in double-paneled poplar and pine padded in differentiated density polyurethane foam. Covering in needle punched, resinated, nonwoven polyester fibre, bonded onto a polyamide velveteen backing. Fabric or leather upholstery, both fully removable by Velcro fastenings. Fabric cover to protect the slat base, in 100% cotton, col. Ecrú, fixed to the bedstead upholstery by 2 zippers to open it on the sides and allow to inset the slat base. Base in AISI 304 Stainless Steel with matt-satin finish or lacquered gunmetal grey colour or burnish colour;

on request, the base can be supplied in two separate frames. Also available in American standard Queen and King size.

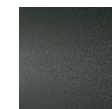
Predisposition for placing slat base, foreseen dimensions:

- cm. 160x200 or (2) 80x200
- cm. 180x200 or (2) 90x200
- cm. 200x200 or (2) 100x200
- cm. 153x203 Queen size
- cm. 193x203 King size

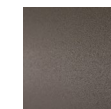
Base



Stainless Steel
with Matt Satin
Finish

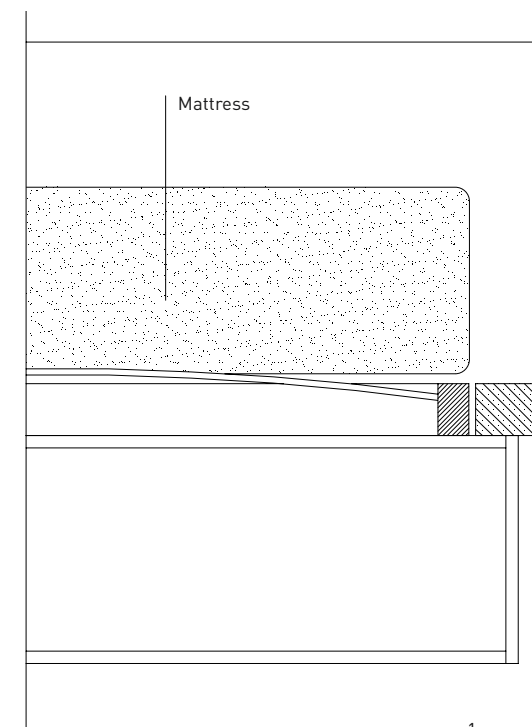


Steel with
Gunmetal Grey
Coating



Burnished
Painted Steel

Bed Section

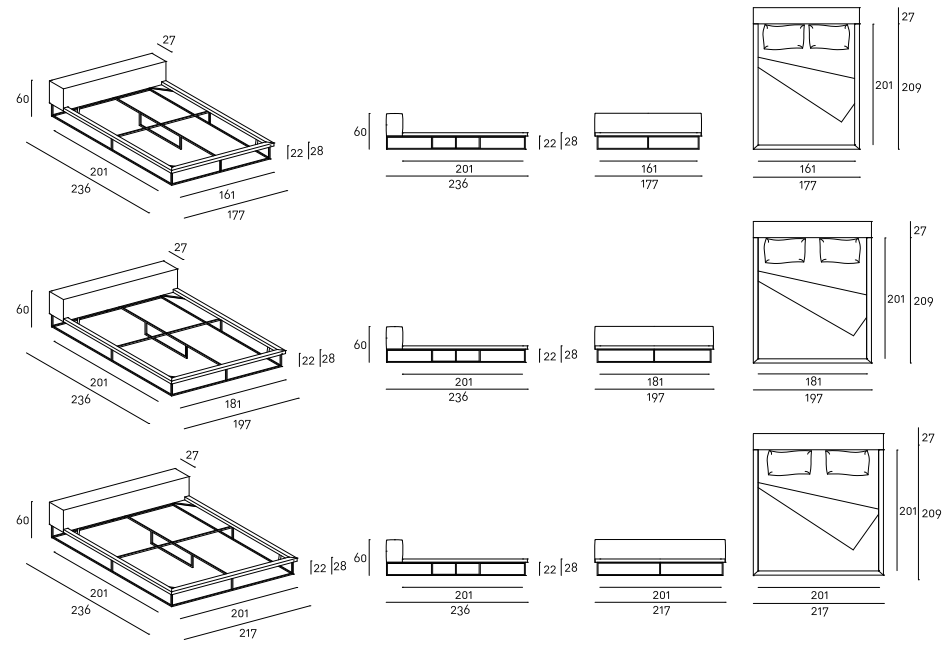


Slat base | Bedstead
5 | 5

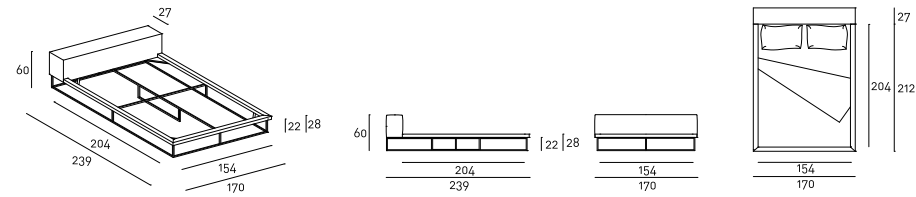
22
Stainless Steel
Base

Mattress / Bedstead $\frac{1}{7}$ Bedstead

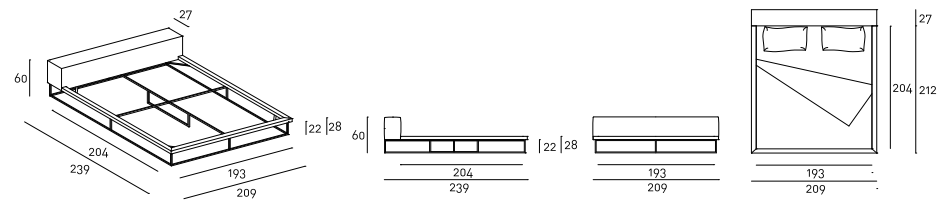
Technical Drawings
Single Base



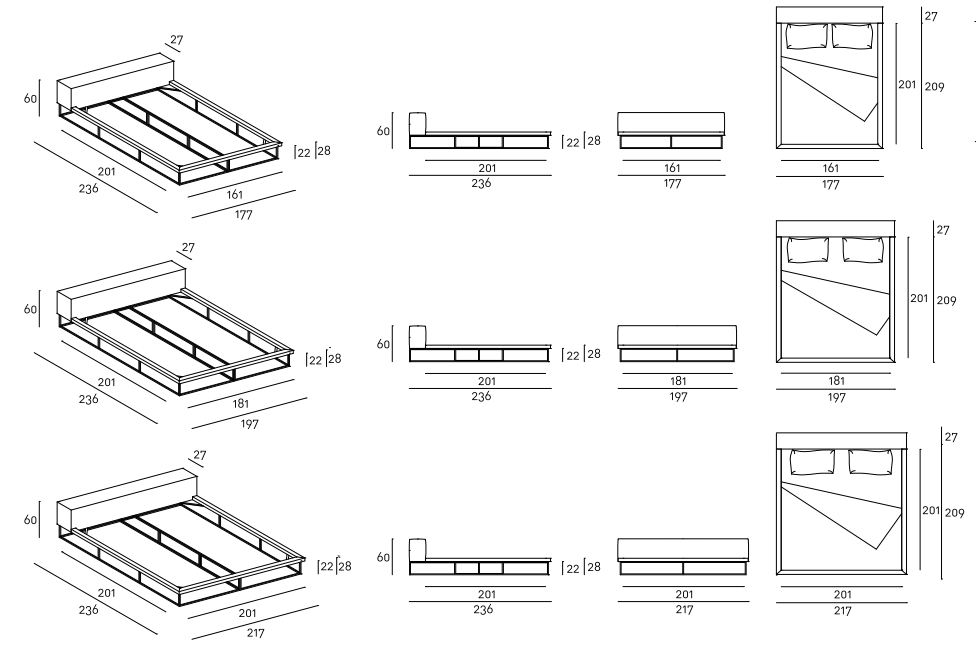
Queen Size 153x203



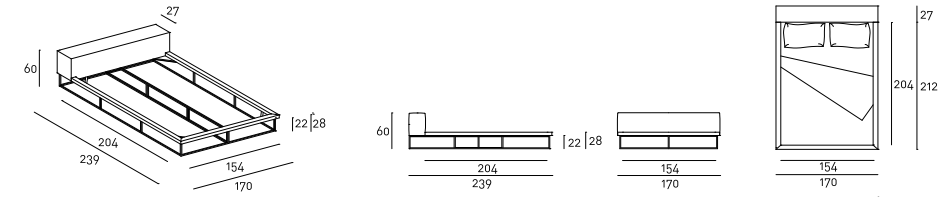
King Size 193x203



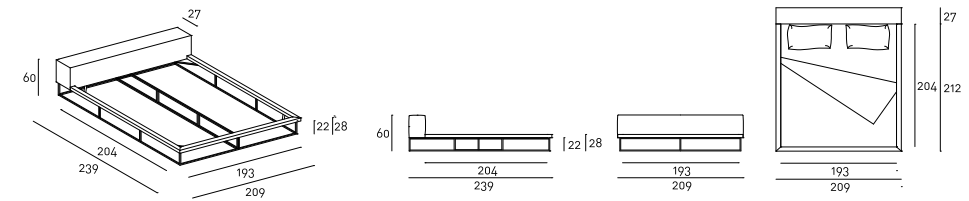
Technical Drawings
Separate Base



Queen Size 153x203



King Size 193x203



Notes

On request, the base can be supplied in two frames.

For slatted bases and mattresses not supplied by the company, please forward the technical specifications.

For slatted bases and mattresses, please refer to the price list.