

Molteni & C

HUGO — VINCENT VAN DUYSSEN 2018

1—
2



Hugo is a complement, a collection of versatile and contemporary accessories, but with firm roots in tradition. It is distinguished by severe proportions and classic quotations, by the tactile value of wood. But such memories are ruffled by a contemporary breeze that brings an air of simplicity and the tension of “Less is more”. Hugo is a multi-purpose occasional table destined to complete seating systems and to facilitate more dynamic and functional compositions. Rectangular or square, it consists of two tops with bevelled edges, achieved by a particular cabinet-making process, separated by two support plinths.

DATASHEET

REGISTERED
DESIGN

IX.2021

moltenigroup.com

Dimensions in centimeters and inches. The right to discontinue and make changes is reserved. This information is based on the latest product information available at the time of printing.

FINISHES

FINISHES OF LEGS AND LOWER SHELF

eucalyptus
graphite oak
walnut

FINISHES OF WOOD UPPER SHELF

eucalyptus
graphite oak
walnut

FINISHES OF MARBLE UPPER SHELF

orient grey
emperador dark
calacatta gold

Molteni&C

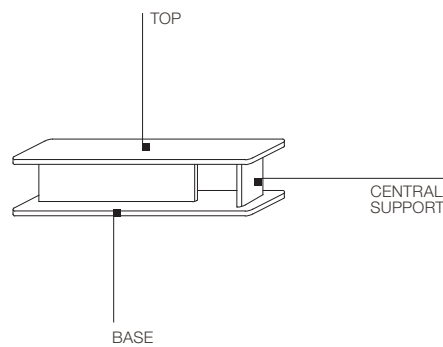
TECHNICAL INFORMATION

WOOD TOP, BASE, CENTRAL SUPPORT

Medium density fiber panel, formed and covered with sliced veneer in Eucalyptus (*Eucalyptus globulus*) and Oak (*Quercus*) or Walnut (*Juglans nigra*).

MARBLE TOP

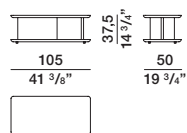
Marble in Range finishes with anti-stain, water-repellent treatments.



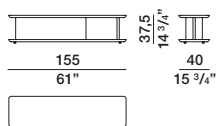
DIMENSIONS

rectangular small tables

HTV1

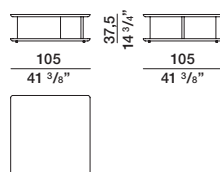


HTV2

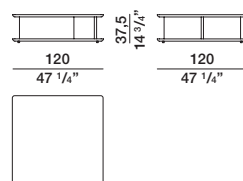


square small tables

HTV3



HTV4



DATASHEET

REGISTERED
DESIGN

IX.2021